



SCT-1074

**CAMERA CONTROL CODE TRANSLATOR
PELCO RS-422 to VCL RS-485 Ver. 1.1**

www.sennetech.net

Sennetech, Inc. 6455 W. Bath Rd. Perry, MI 48872 U.S.A. Ph (517) 675-1150 Fax (517) 675-1151

PRODUCT DESCRIPTION

The SCT-1074 is a Pelco to VCL camera control code translator designed to permit control of VCL cameras from Pelco controllers. It receives Pelco RS-422 commands and transmits the appropriate commands in VCL RS-485 code format. There are four independent RS-485 outputs.

Input Pelco "D" or "P" code from 2400 to 9600 baud is automatically detected.

VCL output is 9600 baud N81.

Input and output connections are made with mating screw terminal connectors. Front panel LEDs indicate power, receive, transmit, and status.

There is an optional 19" rack mount panel (one rack unit high).

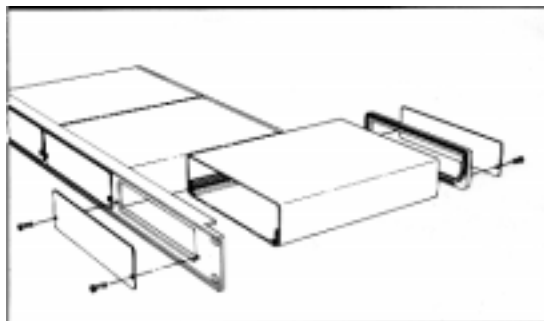
Version 1.1 fixes a VCL address offset problem from version 1.0.

A configuration switch re-enables the offset for compatibility with version 1.0 units.

SPECIFICATIONS

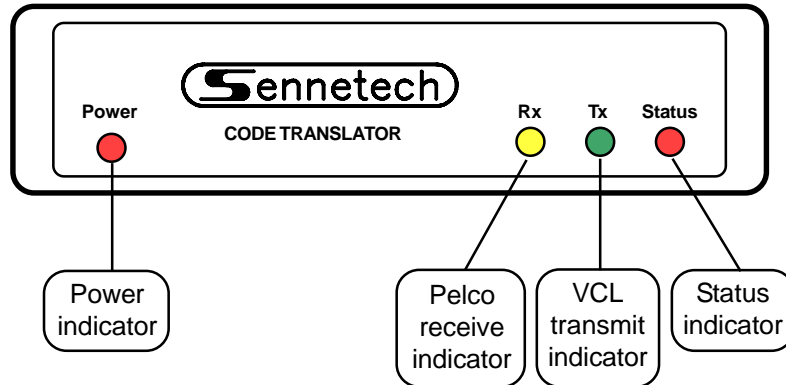
SIZE:	19"W x 1.75H x 5.45D
WEIGHT:	1.5 lbs.
POWER:	9Volt to 18Volt AC or DC at .75 Watts
INDICATORS:	Front panel LEDs: Power, Rx, Tx, and Status
PELCO INPUT:	(1) 3-pin mating screw terminal connector
VCL OUTPUTS:	(4) 3-pin mating screw terminal connectors

To install the case on the rack mount frame, remove the front panel and the plastic bezel. The rack mount frame takes the place of the bezel as shown below.

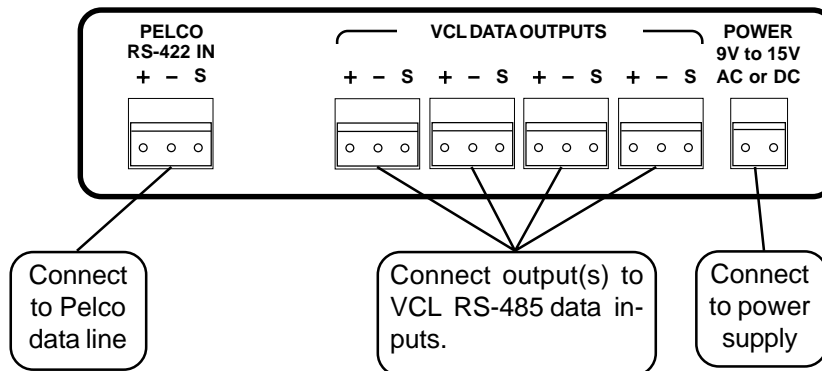


INSTALLATION

FRONT PANEL



REAR PANEL



The Rx LED will light when there is any data on the input lines.

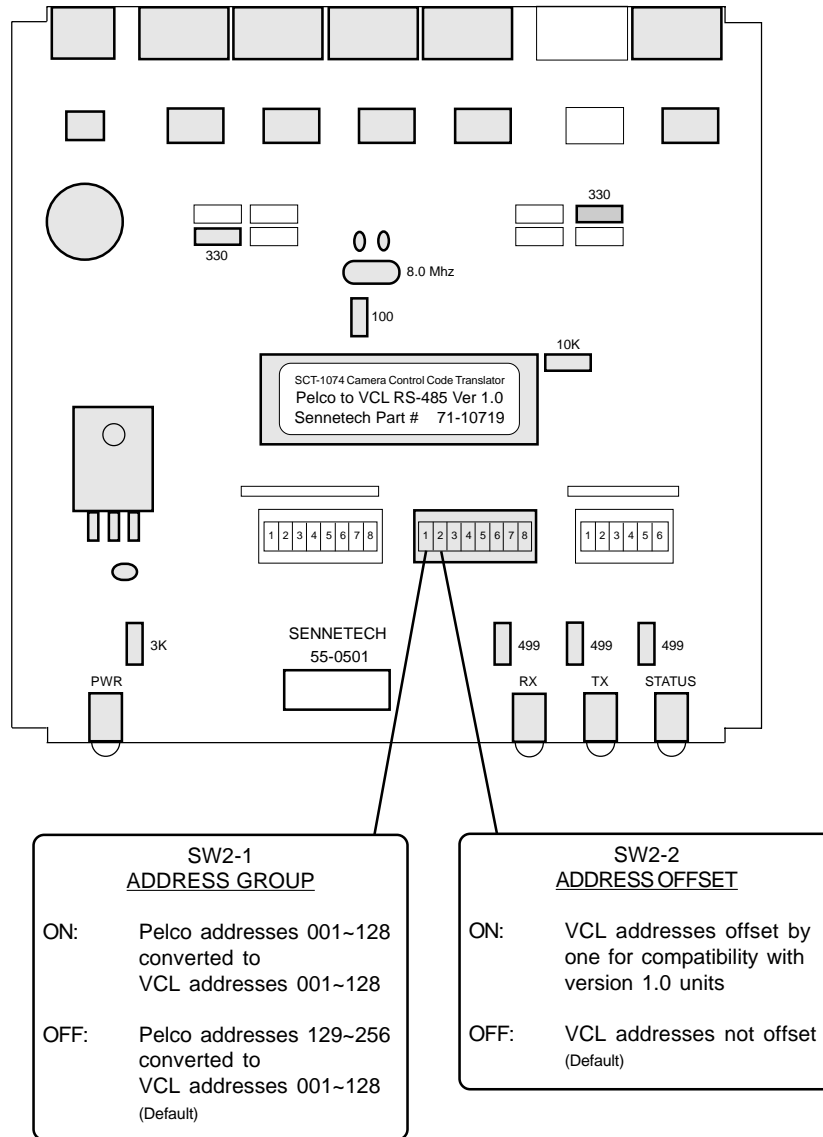
The code translator will automatically detect the input baud rate from 2400 baud to 9600 baud.

The Tx LED will flash for each VCL output data packet sent.

The Status LED will flash if the input data is not recognized as valid Pelco data. It will also flash momentarily during the autobaud detect process.

SETTING THE SWITCHES

To set the configuration switches, remove the back panel, which is secured by two screws. Then slide the cover back to expose the switches. The switches can be changed while the code translator is powered up and the new settings will take effect immediately.



OPERATION

Camera Addressing

The maximum VCL camera address is 128. Control code for only 128 cameras will be translated.

SW2-1 OFF: Pelco commands for cameras 1~128 are converted into VCL commands for cameras 1~128.

SW2-1 ON: Pelco commands for cameras 129~256 are converted into VCL commands for cameras 1~128.
To calculate the VCL camera address, subtract 128 from the Pelco camera address.

PTZ

The code translator converts Pan, Tilt, Zoom, Focus, and Iris commands directly.

Presets

Pelco presets 1~98 are converted directly to VCL presets 1~98.

Other commands are converted according to the following table.

<u>Pelco Command</u>	<u>VCL Command</u>	<u>Pelco Command</u>	<u>VCL Command</u>
Aux 1 Off	Aux 1 Off	Aux 1 On	Aux 1 On
Aux 2 Off	Aux 2 Off	Aux 2 On	Aux 2 On
Aux 3 Off	Automatic Mono/Color	Aux 3 On	Toggle Mono/Color
Aux 4 Off	Auto Focus Off	Aux 4 On	Auto Focus On
Aux 5 Off	Auto Iris Off	Aux 5 On	Auto Iris On
Aux 6 Off	Wash Off	Aux 6 On	Wash On
Aux 7 Off	Wipe Off	Aux 7 On	Wipe On
Aux 8 Off	Lamps Off	Aux 8 On	Lamps On
Pattern Start 0~2	Define Tour Start 1~3		
Pattern End	Define Tour Stop		
Pattern Run 0~2	Start Tour 1~3		
Preset 0	Flip		
Preset 99	Start Autopan		

