



## **SCT-1040**

**CAMERA CONTROL CODE TRANSLATOR  
PELCO RS-422 to SENSORMATIC RS-422 Ver. 2.0**

[www.sennetech.net](http://www.sennetech.net)

**Sennetech, Inc. 6455 W. Bath Rd. Perry, MI 48872 U.S.A. Ph (517) 675-1150 Fax (517) 675-1151**

## PRODUCT DESCRIPTION

The SCT-1040 is a Pelco to Sensormatic control code translator designed to permit control of Sensormatic cameras from Pelco controllers. It receives Pelco RS-422 commands and transmits the appropriate commands in Sensormatic RS-422 code format. There are four independent Sensormatic outputs.

Internal configuration switches allow the translator to work with Pelco "P" code or "D" code. The Sensormatic outputs can be proportional speed code for the newer domes or can be limited to two speeds for older receivers.

The Sensormatic outputs operate in simplex mode requiring one pair of wires to the receiver's data inputs.

Input and output connections are made with mating screw terminal connectors. Front panel LEDs indicate status of power, receive, and transmit.

There is an optional 19" rack mount panel (one rack unit high).

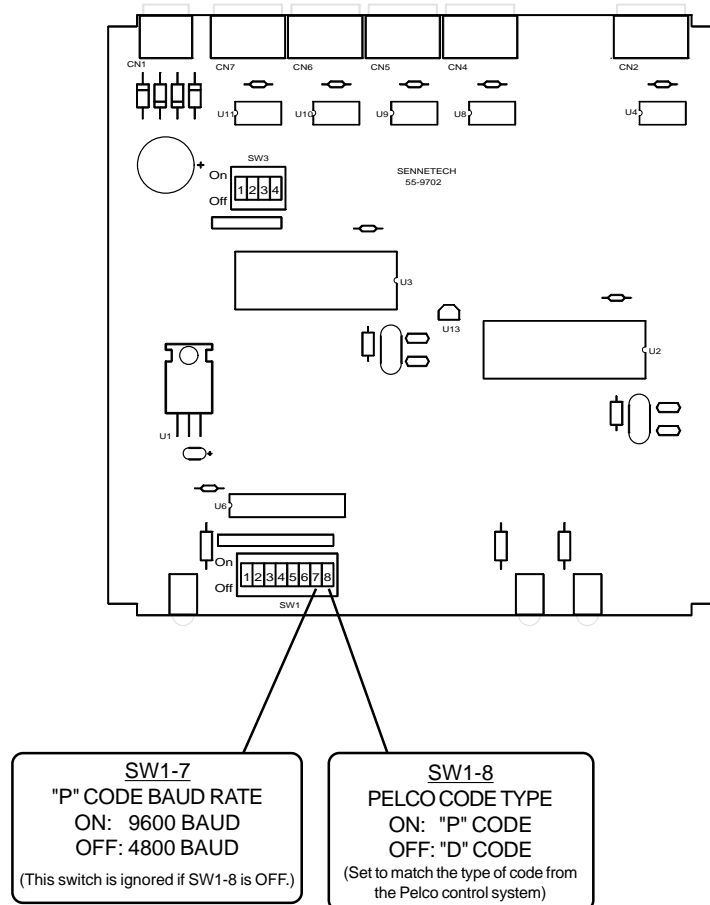
Version 2.0 increases the number of direct preset conversions.

## SPECIFICATIONS

SIZE:	5.57"W x 1.52H x 5.45D
WEIGHT:	1.5 lbs.
POWER:	9Volt to 15Volt AC or DC at 75ma
INDICATORS:	Front panel LEDs: Power, Rx, & Tx
PELCO RS-422 INPUT:	(1) mating 3-pin screw terminal connector
SENSORMATIC OUTPUTS:	(4) mating 3-pin screw terminal connectors

## SETTING THE SWITCHES

To set the configuration switches, remove the back panel, which is secured by two screws. Then slide the cover back to expose the switches. The switches can be changed while the code translator is powered up and the new settings will take effect immediately.

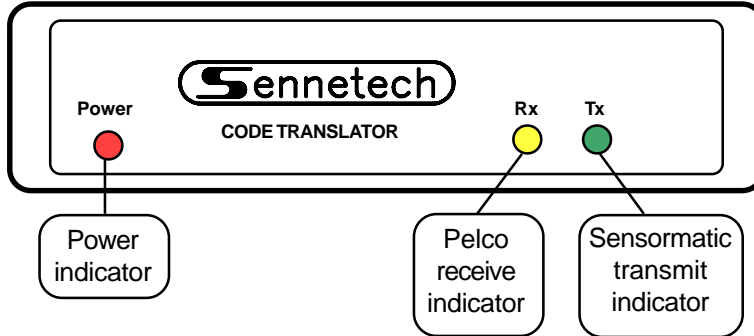


If the code translator is configured to receive "D" code, the baud rate is automatically set to 2400. For "P" code, the available baud rates are 4800 and 9600.

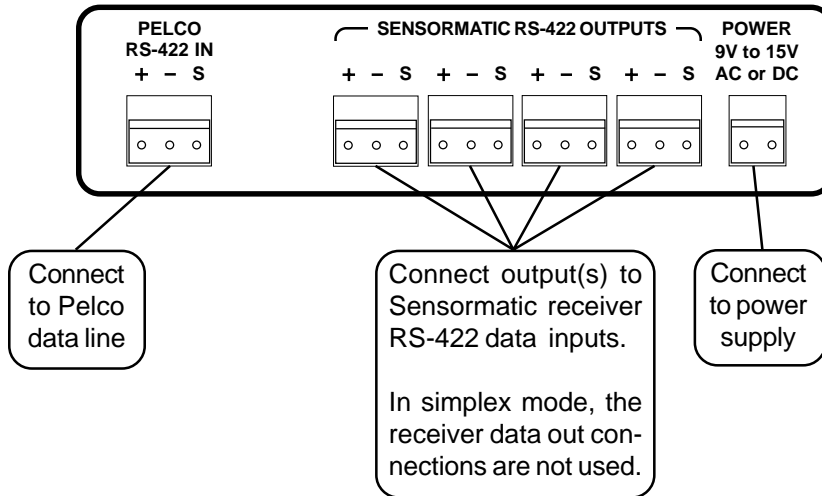
The Rx LED will light when there is any data on the input lines. If the LED is on constantly, the input wires are probably reversed.

If the Rx LED flashes when a camera control command is sent, but the Tx LED does not flash, then the code translator did not recognize the incoming data as valid Pelco camera control code. Check that the code translator matches the controller's code settings.

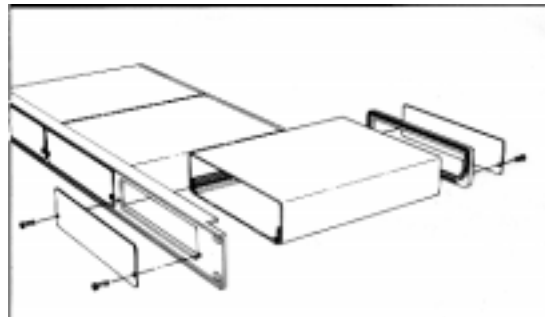
### FRONT PANEL



### REAR PANEL



To install the case on the rack mount frame, remove the front panel and the plastic bezel. The rack mount frame takes the place of the bezel as shown below.



## OPERATION

Pelco Pan, Tilt, Zoom, Focus, and Iris commands are converted to the equivalent Sensormatic commands.

Additional commands are converted according to the following table.

<u>PELCO COMMAND</u>	<u>SENSORMATIC COMMAND</u>
Aux 7 ON Aux 8 ON	Flip Dome (180 degrees) Set Lens to Auto (Iris & Focus)
<u>PRESETS</u>	
Pgm Pset 1 ~ 7 Run Pset 1 ~ 7	Define Target 1 ~ 7 Goto Target 1 ~ 7
Pgm Pset 8 ~ 63 Run Pset 8 ~ 63	Set Preset 8 ~ 63 Go to Preset 8 ~ 63
Pgm Pset 95	Start Dome Configuration Menu (Use Pan & Tilt to navigate, Focus & Zoom to select values)
<u>PATTERNS</u>	
Pgm Pattern 1 ~ 3 End Pattern Run Pattern 1 ~ 3 Pgm Pset 30	Start Recording Pattern 1 ~ 3 Stop Recording (and accept new pattern) Auto Repeat Pattern 1 ~ 3 Reset Dome

