



SCT-1059

**CAMERA CONTROL CODE TRANSLATOR
PELCO RS-422 to COHU RS-422 Ver. 1.1**

www.sennetech.net

Sennetech, Inc. 6455 W. Bath Rd. Perry, MI 48872 U.S.A. Ph (517) 675-1150 Fax (517) 675-1151

PRODUCT DESCRIPTION

The SCT-1059 is a Pelco to Cohu control code translator designed to permit control of Cohu receivers from Pelco controllers. It receives Pelco RS-422 commands and translates them into Cohu RS-422 commands. There are four independent Cohu outputs.

Internal switches are used to configure the operation of the code translator. The input can be Pelco "D" code at 2400 baud, or Pelco "P" code at either 4800 or 9600 baud.

The output is Cohu MPC code at 9600 baud.

Input and output connections are made with mating screw terminal connectors. Front panel LEDs indicate status of power, receive, and transmit.

There is an optional 19" rack mount panel (one rack unit high).

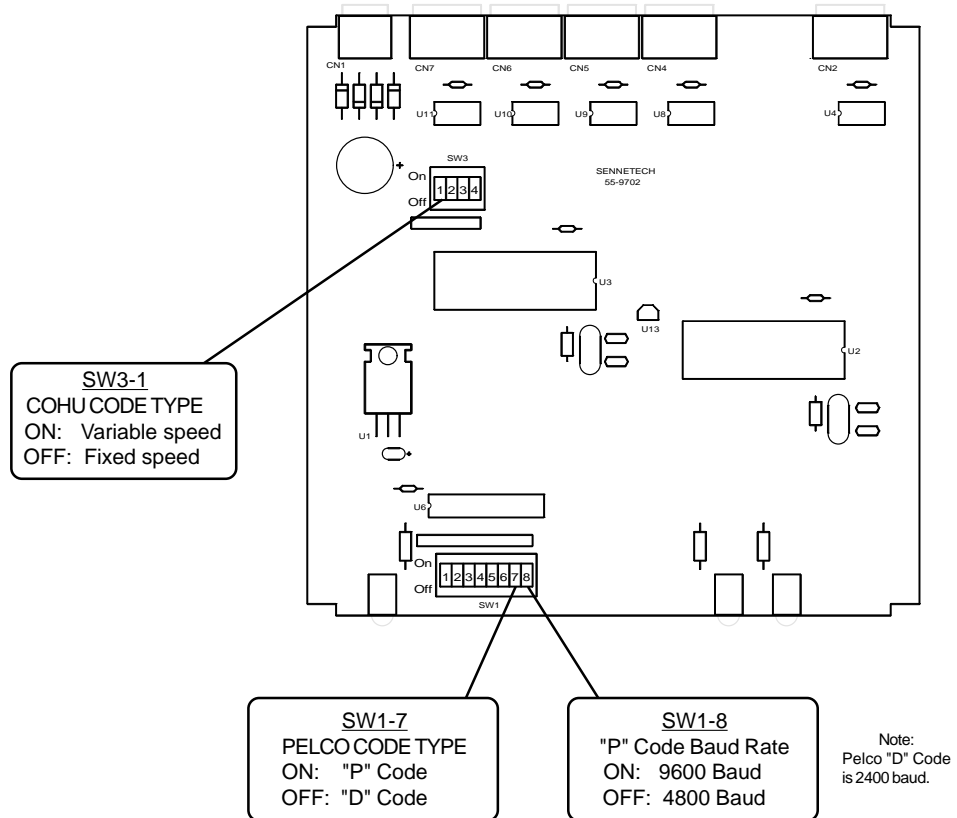
SPECIFICATIONS

SIZE:	5.57"W x 1.52H x 5.45D
WEIGHT:	1.5 lbs.
POWER:	9Volt to 15Volt AC or DC at 75ma
INDICATORS:	Front panel LEDs: Power, Rx, & Tx
PELCO INPUT:	(1) mating 3-pin screw terminal connector
COHU OUTPUTS:	(4) mating 3-pin screw terminal connectors

SETTING THE SWITCHES

To set the configuration switches, remove the back panel, which is secured by two screws. Then slide the cover back to expose the switches. The switches can be changed while the code translator is powered up and the new settings will take effect immediately.

Pelco supports multiple code types and baud rates. The code translator must be configured to match the code sent by the Pelco controller.



The Rx indicator will flash whenever there is data from the Pelco controller. If the input lines have reversed polarity, the Rx indicator will be on solidly. The Tx indicator will flash when Cohu data is sent.

If you have Rx but no Tx, possible causes are:

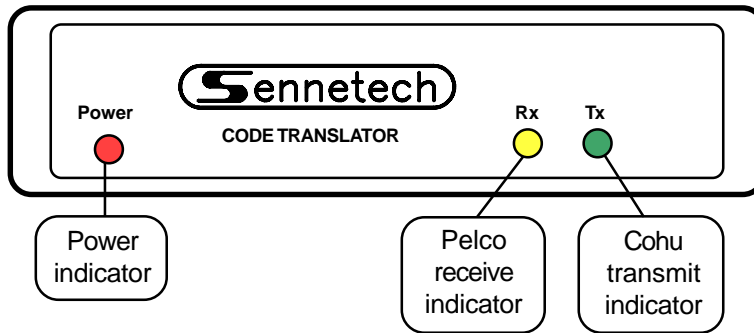
- The Pelco code is not camera control code.

- The code translator configuration does not match the incoming Pelco code.

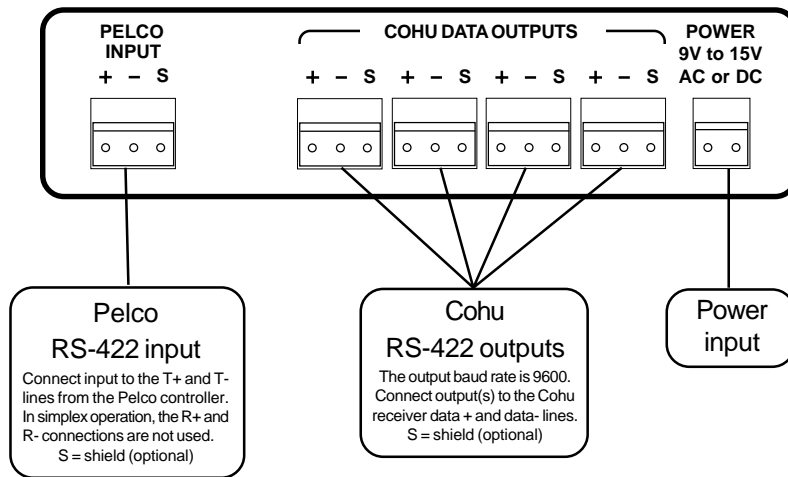
Check the Pelco serial port setup. If changes are made, you may have to cycle the power on the Pelco system before the changes become effective.

INSTALLATION

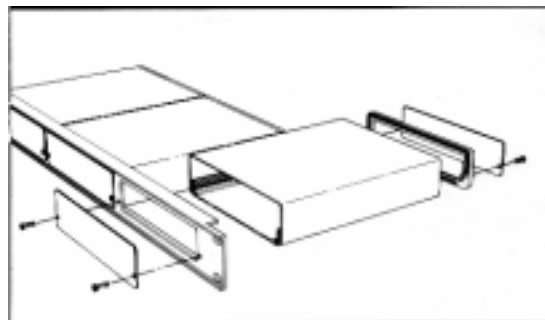
FRONT PANEL



REAR PANEL



To install the case on the rack mount frame, remove the front panel and the plastic bezel. The rack mount frame takes the place of the bezel as shown below.



OPERATION

Pelco Pan, Tilt, Zoom, Focus, and Iris commands are converted directly to the equivalent Cohu commands.

Pre-positions:

Pelco pre-position commands [0~9] are converted to Cohu pre-position commands 0~9.

Other Pelco commands are converted according to the following table.

<u>Pelco Command</u>	<u>Cohu Command</u>
Aux 1 Off/On	Toggle Aux 1 / Color Balance Manual/Auto
Aux 2 Off/On	Toggle Aux 2
Aux 3 Off/On	Toggle Aux 3
Aux 4 Off/On	Toggle Manual Iris
Aux 5 Off/On	Toggle Lens Speed
Aux 6 On	Color Balance Increase Blue
Aux 6 Off	Color Balance Stop
Aux 7 On	Color Balance Increase Red
Aux 7 Off	Color Balance Stop
Aux 8 Off/On	Toggle Camera Power

The following Pelco commands are only available if SW3-1 is ON for variable speed code.

Call Shot 10~19	Goto Preset 10~19
Set Shot 10~19	Program Preset 10~19
Call Shot 20	White Balance Auto
Call Shot 21	White Balance Set
Call Shot 22	White Balance Lock
Call Shot 23	White Balance Indoor
Call Shot 25	White Balance Outdoor
Call Shot 25	White Balance Fluorescent
Call Shot 26	Iris Auto
Call Shot 27	Iris Manual
Call Shot 28	Focus Auto
Call Shot 29	Focus Manual
Set Zoom Speed 0~3	Set Digital Zoom Range 0~3
Set Backlight Comp On/Off	Back Light On/Off

