



## **SCT-1061**

**CAMERA CONTROL CODE TRANSLATOR  
JAVELIN RS-232 TO VICON RS-422 Ver. 1.0**

[www.sennetech.net](http://www.sennetech.net)

**Sennetech, Inc. 6455 W. Bath Rd. Perry, MI 48872 U.S.A. Ph (517) 675-1150 Fax (517) 675-1151**

## PRODUCT DESCRIPTION

The SCT-1061 is a Javelin to Vicon control code translator designed to permit control of Vicon cameras from Javelin controllers. It receives Javelin RS-232 commands and re-transmits them as Vicon RS-422 commands. There are four independent Vicon outputs.

Internal switches are used to configure the operation of the code translator.

The input can be set for Javelin code for JO308 receivers or JO208 receivers.  
The Vicon output can be set to 4800 baud or 9600 baud.

Javelin camera addresses from 0001~2048 can be converted in groups of 256.

Input and output connections are made with mating screw terminal connectors. Front panel LEDs indicate status of power, receive, and transmit.

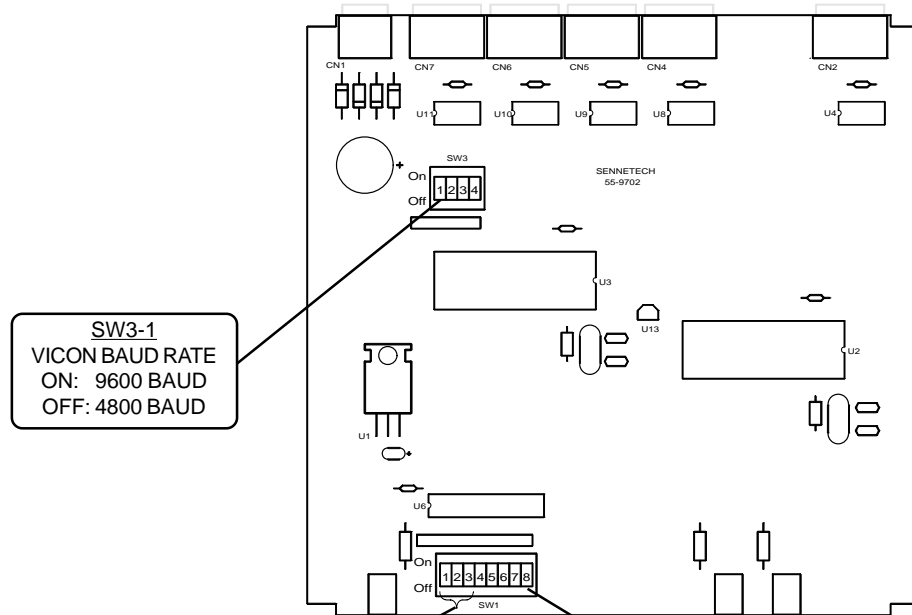
There is an optional 19" rack mount panel (one rack unit high).

## SPECIFICATIONS

SIZE:	5.57"W x 1.52H x 5.45D
WEIGHT:	1.5 lbs.
POWER:	9Volt to 15Volt AC or DC at 75ma
INDICATORS:	Front panel LEDs: Power, Rx, & Tx
JAVELIN INPUT:	(1) mating 3-pin screw terminal connector
VICON OUTPUTS:	(4) mating 3-pin screw terminal connectors

## SETTING THE SWITCHES

To set the configuration switches, remove the back panel, which is secured by two screws. Then slide the cover back to expose the switches. The switches can be changed while the code translator is powered up and the new settings will take effect immediately.



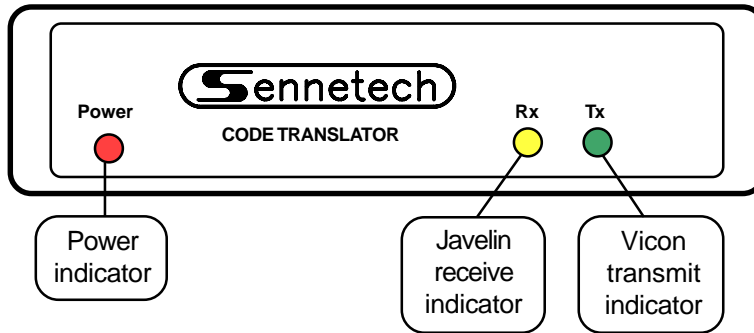
**SW3-1**  
VICON BAUD RATE  
ON: 9600 BAUD  
OFF: 4800 BAUD

ADDRESS GROUP SELECTION					
Group	SW1-1	SW1-2	SW1-3	Javelin Address	Vicon Address
1	OFF	OFF	OFF	0001 ~ 0256	001 ~ 256
2	ON	OFF	OFF	0257 ~ 0512	001 ~ 256
3	OFF	ON	OFF	0513 ~ 0768	001 ~ 256
4	ON	ON	OFF	0769 ~ 1024	001 ~ 256
5	OFF	OFF	ON	1025 ~ 1280	001 ~ 256
6	ON	OFF	ON	1281 ~ 1536	001 ~ 256
7	OFF	ON	ON	1537 ~ 1792	001 ~ 256
8	ON	ON	ON	1793 ~ 2048	001 ~ 256

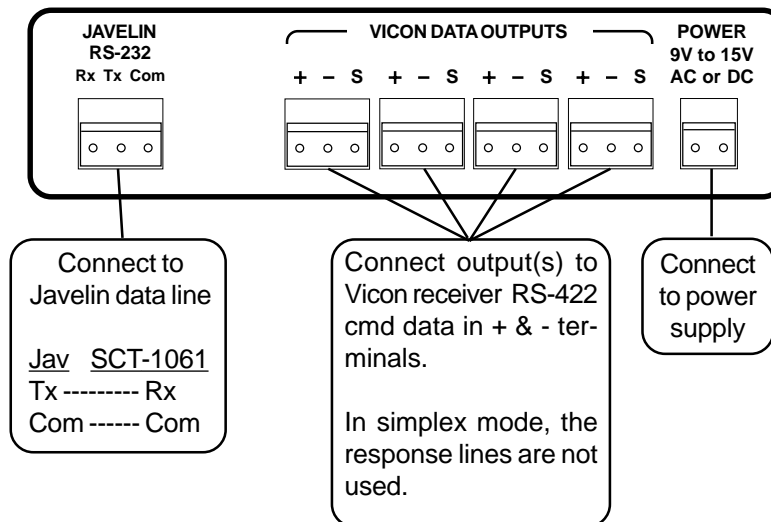
**SW1-6**  
JAVELIN CODE TYPE  
ON: JO208 Code  
OFF: JO308 Code

## INSTALLATION

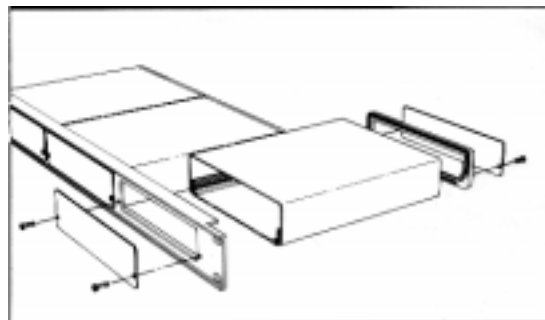
### FRONT PANEL



### BACK PANEL



To install the case on the rack mount frame, remove the front panel and the plastic bezel. The rack mount frame takes the place of the bezel as shown below.



## OPERATION

Javelin Pan, Tilt, Zoom, Focus, and Iris commands are converted directly to the equivalent Vicon commands.

### Presets:

Javelin preset commands [1~13] are converted directly to Vicon preset commands. Other commands are converted according to the following table.

<u>Javelin Command</u>	<u>Vicon Command</u>
Prgm Pshot 14	Activate Dome On-screen Programming Menu (Use Tilt to navigate, R6 to make selections, R5 to exit.)
Pshot 15 Prgm Pshot 15	Send Alarm Acknowledge to the Camera Reset Camera / Autobaud Detect

### Pan & Tilt speeds:

Javelin code does not support variable speed control. The code translator can have 1 of 16 speed settings. On power-up, the code translator defaults to sending medium pan and tilt speeds. The operator can change the speeds using [R1]~[R4]. The speed changes by (1) each time.

[R1]	Decrease Pan Speed
[R2]	Increase Pan Speed
[R3]	Decrease Tilt Speed
[R4]	Increase Tilt Speed

### Autopan / Autoiris

[R5]	A/I
[R6]	A/P

