



SCT-1062

**CAMERA CONTROL CODE TRANSLATOR
PELCO RS-422 to ERNA RS-485 Ver. 1.2**

www.sennetech.net

Sennetech, Inc. 6455 W. Bath Rd. Perry, MI 48872 U.S.A. Ph (517) 675-1150 Fax (517) 675-1151

PRODUCT DESCRIPTION

The SCT-1062 is a Pelco to Ernitec control code translator designed to permit control of Ernitec receivers from Pelco controllers. It receives Pelco RS-422 commands and transmits the appropriate commands in Erna RS-485 code format. There are four independent Erna outputs.

Internal configuration switches allow the translator to work with Pelco "P" code or "D" code.

Input and output connections are made with mating screw terminal connectors. Front panel LEDs indicate status of power, receive, and transmit.

Version 1.2 adds a switch to select RS-485 or RS-422 data output for older receivers.

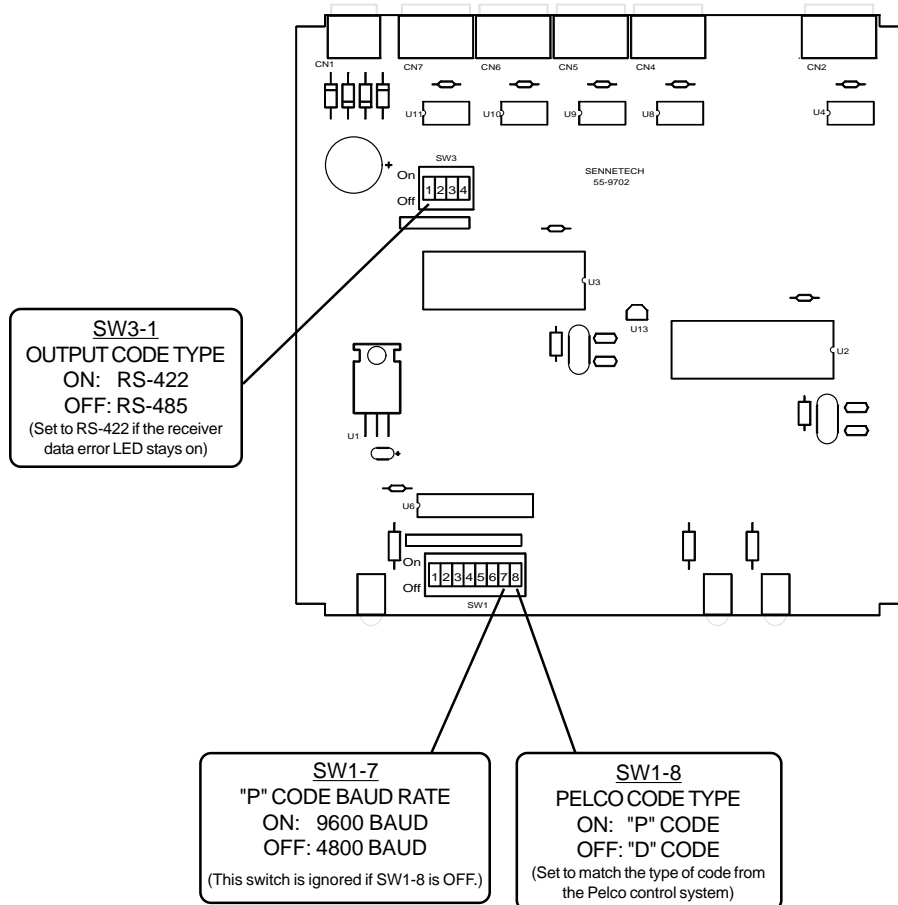
There is an optional 19" rack mount panel (one rack unit high).

SPECIFICATIONS

| | |
|----------------------|--|
| SIZE: | 5.57"W x 1.52H x 5.45D |
| WEIGHT: | 1.5 lbs. |
| POWER: | 9Volt to 15Volt AC or DC at 75ma |
| INDICATORS: | Front panel LEDs: Power, Rx, & Tx |
| PELCO RS-422 INPUT: | (1) mating 3-pin screw terminal connector |
| ERNA RS-485 OUTPUTS: | (4) mating 3-pin screw terminal connectors |

SETTING THE SWITCHES

To set the configuration switches, remove the back panel, which is secured by two screws. Then slide the cover back to expose the switches. The switches can be changed while the code translator is powered up and the new settings will take effect immediately.

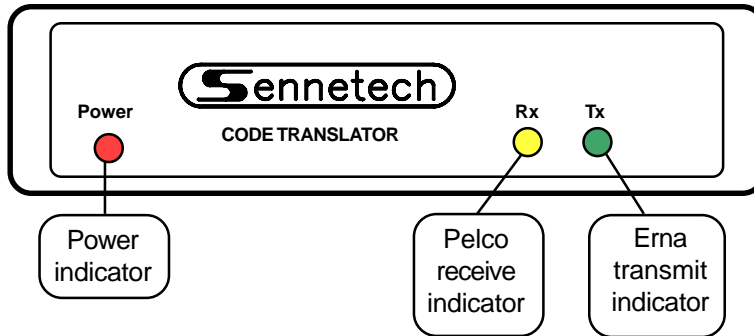


If the code translator is configured to receive "D" code, the baud rate is automatically set to 2400. For "P" code, the available baud rates are 4800 and 9600.

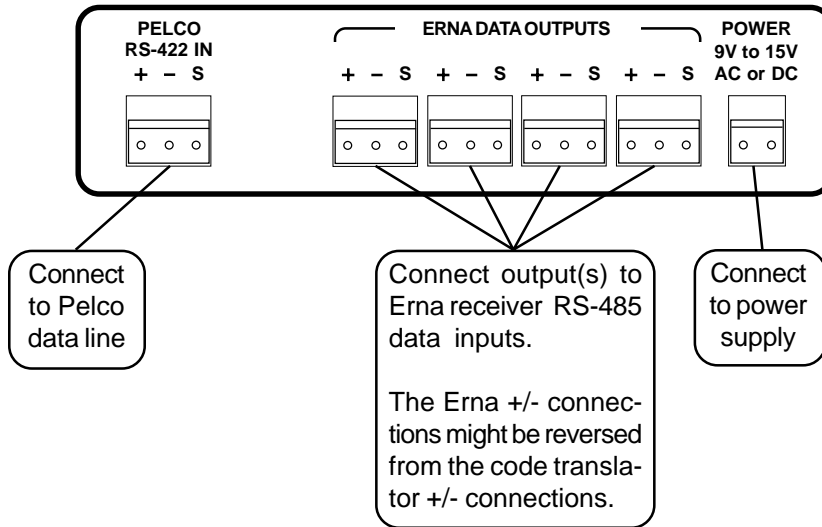
The Rx LED will light when there is any data on the input lines. If the LED is on constantly, the input wires are probably reversed.

If the Rx LED flashes when a camera control command is sent, but the Tx LED does not flash, then the code translator did not recognize the incoming data as valid Pelco camera control code. Check that the code translator matches the controller's code settings.

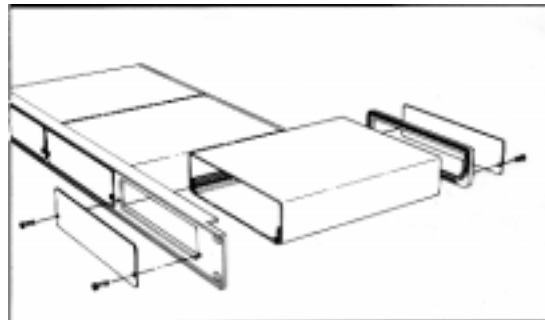
FRONT PANEL



REAR PANEL



To install the case on the rack mount frame, remove the front panel and the plastic bezel. The rack mount frame takes the place of the bezel as shown below.



OPERATION

PTZ

The code translator converts Pan, Tilt, Zoom, Focus, and Iris commands directly.

Presets

Pelco presets 1~64 are converted directly to Erna presets 1~64.

Other commands are converted according to the following table.

| | <u>Pelco Command</u> | <u>Erna Command</u> |
|------------------------------|---|--|
| Aux Relays | Aux 1~8 Off Aux 1~8 On | Aux Relay 1~8 Off Aux Relay 1~8 On |
| Pre-position Sequence | Pset 70 Pgm Pset 70 Pset 71~89 Pgm Pset 71~89 Run Pattern Start Pgm Pattern 0~99 | Show Sequence Stack Clear Sequence Stack Insert Pre-position 1~19 in Stack (The cmd must be sent twice.) Delete Pre-position 1~19 from Stack Start Pre-position Sequence Set Sequence Dwell Time (Pattern # = seconds) |
| Display Text | Pset 90 | Toggle Text Display On/Off |

