



SCT-1073

**CAMERA CONTROL CODE TRANSLATOR
VICON RS-422 to PLETTAC RS-485 Ver. 1.0**

www.sennetech.net

Sennetech, Inc. 6455 W. Bath Rd. Perry, MI 48872 U.S.A. Ph (517) 675-1150 Fax (517) 675-1151

PRODUCT DESCRIPTION

The SCT-1073 is a Vicon to Plettac camera control code translator designed to permit control of Plettac receivers from Vicon controllers. It receives Vicon RS-422 commands and transmits the appropriate commands in Plettac RS-485 code format. There are four independent RS-485 outputs.

Input Vicon baud rates of 2400, 4800, 9600, and 19200 are automatically detected.

Plettac output is selectable from 1200 to 9600 baud.

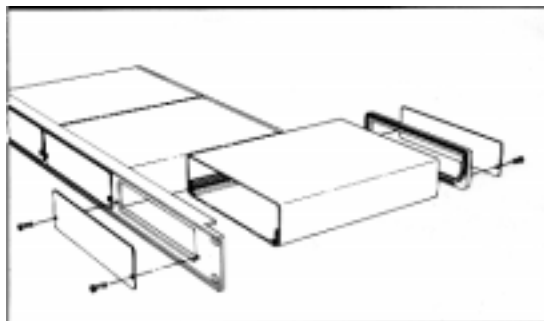
Input and output connections are made with mating screw terminal connectors. Front panel LEDs indicate power, receive, transmit, and status.

There is an optional 19" rack mount panel (one rack unit high).

SPECIFICATIONS

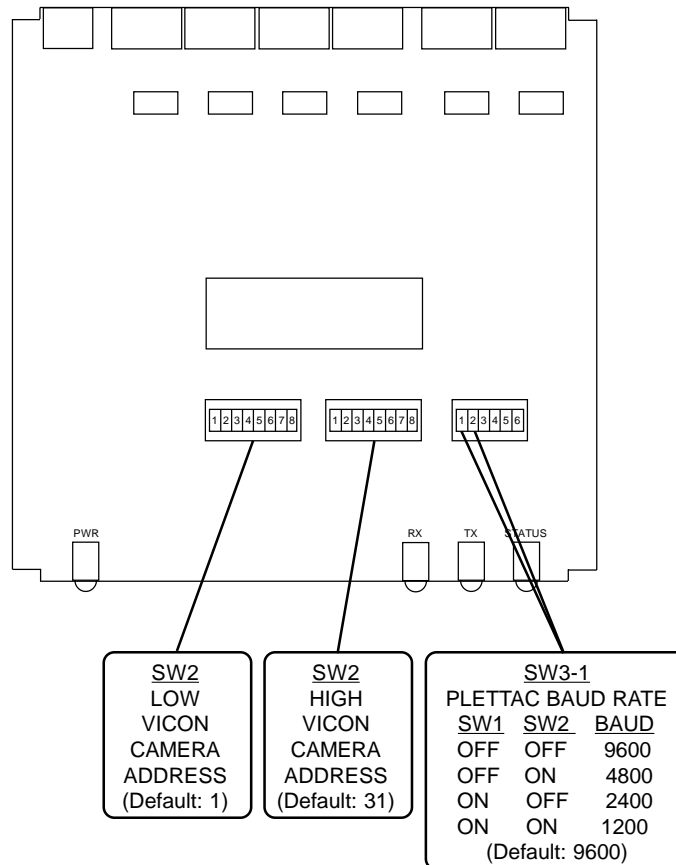
SIZE:	19"W x 1.75H x 5.45D
WEIGHT:	1.5 lbs.
POWER:	9Volt to 18Volt AC or DC at .75 Watts
INDICATORS:	Front panel LEDs: Power, Rx, Tx, and Status
VICON INPUT:	(1) 3-pin mating screw terminal connector
VICON RESPONSE:	(1) 3-pin mating screw terminal connector
PLETTAC OUTPUTS:	(4) 3-pin mating screw terminal connectors

To install the case on the rack mount frame, remove the front panel and the plastic bezel. The rack mount frame takes the place of the bezel as shown below.



SETTING THE SWITCHES

To set the configuration switches, remove the back panel, which is secured by two screws. Then slide the cover back to expose the switches. The switches can be changed while the code translator is powered up and the new settings will take effect immediately.

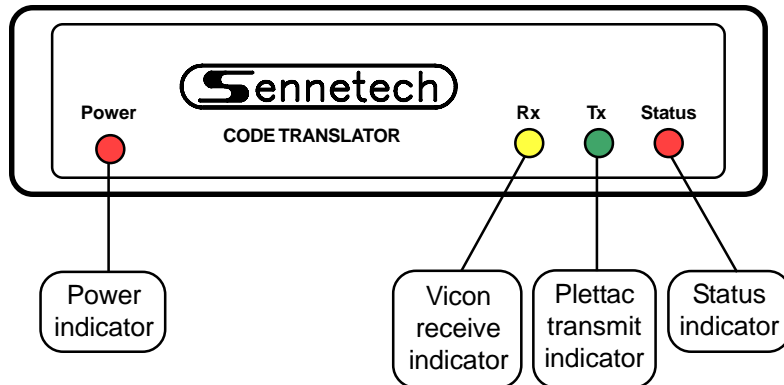


The code translator will send responses and translate code only for the group of camera numbers set by the lowest and highest camera address switches.

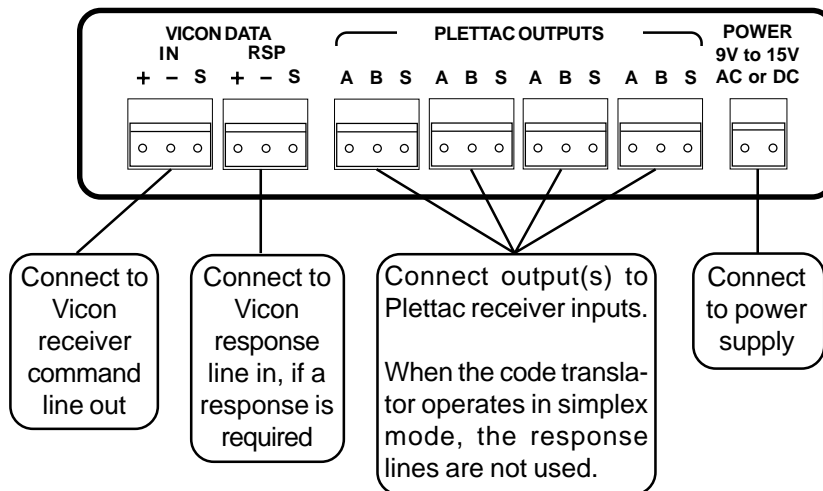
The preferred system configuration is Vicon simplex mode, in which the response line is not used. If the response line is connected for Vicon duplex operation, set the low and high Vicon address switches to exclude the addresses for any Vicon cameras in the system.

INSTALLATION

FRONT PANEL



REAR PANEL



The Rx LED will light when there is any data on the input lines.

The code translator will automatically detect the input baud rate from 2400 baud to 19200 baud.

The Status LED will flash if the input data is not recognized, i.e. if the wires are reversed or the data is not valid camera control code. It will flash momentarily during the autobaud detect process.

The Tx LED flashes when Plettac output code is being sent.

OPERATION

PTZ

The code translator converts Pan, Tilt, Zoom, Focus, and Iris commands directly.

Presets

Vicon Preset commands from 1~99 are converted to Plettac position commands.

Aux

Vicon Aux commands from 1~6 are converted to Plettac Relay On/Off commands.

Vicon Aux keys do not have an On or Off function.

The code translator will alternate between Off and On each time a Vicon Aux key is pressed.

