



SCT-1032

**CAMERA CONTROL CODE TRANSLATOR
BOSCH BIPHASE TO JAVELIN RS-232 Ver. 2.0**

www.sennetech.net

Sennetech, Inc. 6455 W. Bath Rd. Perry, MI 48872 U.S.A. Ph (517) 675-1150 Fax (517) 675-1151

PRODUCT DESCRIPTION

The SCT-1032 is a Bosch to Javelin control code translator designed to permit control of Javelin cameras from Bosch controllers. It receives Bosch biphase commands and transmits the appropriate commands in Javelin RS-232 format (9600 baud N81). There are four independent Javelin outputs.

The unit can be configured to send Javelin output code compatible with either JO208 ACUs or JO308 ACUs. Pan and Tilt commands can be reversed for compatibility with different system wiring.

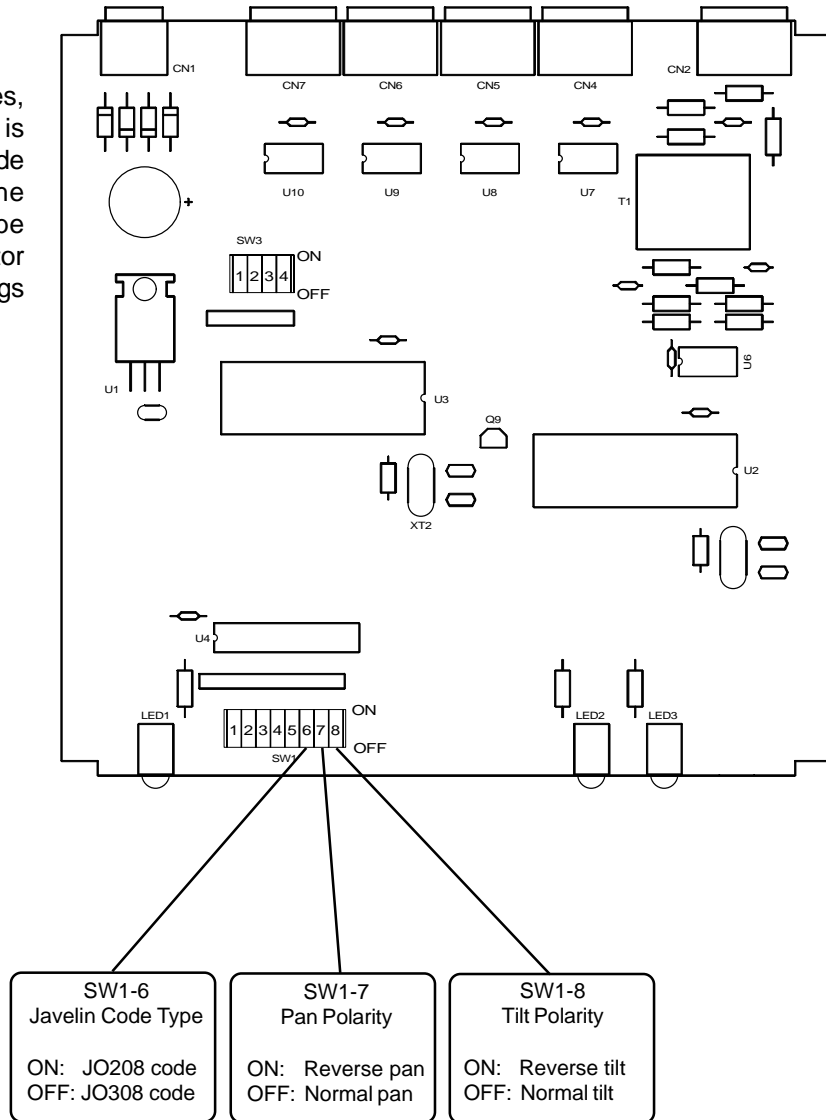
Input and output connections are made with mating screw terminal connectors. Front panel LEDs indicate status of power, receive, and transmit.

SPECIFICATIONS

SIZE:	19"W x 1.75H x 5.45D
WEIGHT:	1.5 lbs.
POWER:	9Volt to 15Volt AC or DC at 75ma
INDICATORS:	Front panel LEDs: Power, Rx, & Tx
BIPHASE INPUT:	(1) mating 3-pin screw terminal connector
JAVELIN RS-232 OUTPUTS:	(4) mating 3-pin screw terminal connectors

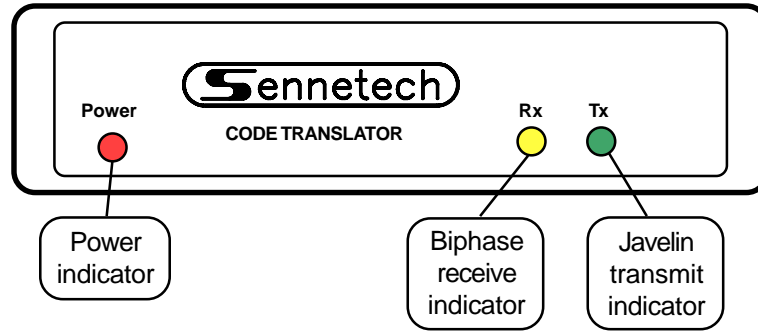
SETTING THE SWITCHES

To set the configuration switches, remove the back panel, which is secured by two screws. Then slide the cover back to expose the switches. The switches can be changed while the code translator is powered up and the new settings will take effect immediately.

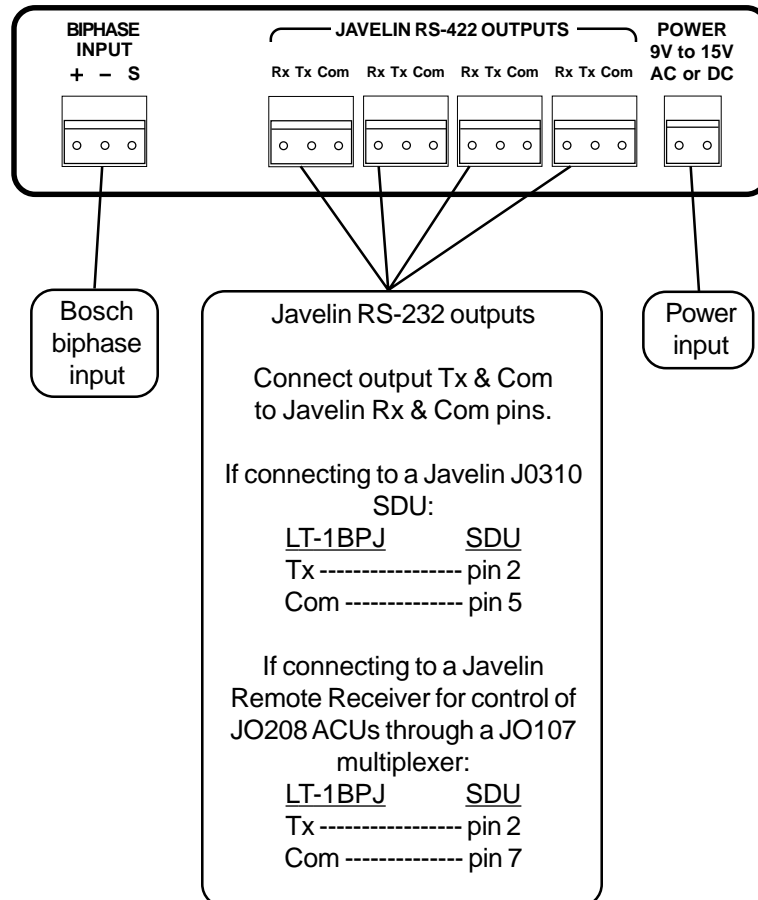


INSTALLATION

FRONT PANEL



REAR PANEL



OPERATION

Pan, Tilt, Zoom, Focus, and Iris commands are converted directly. Additional functions use the following table.

<u>BOSCH COMMAND</u>	<u>JAVELIN COMMAND</u>
[SET] [1 to 15] [ENTER]	STORE PRE-POSITION (1 to 15)
[SHOT] [1 to 15] [ENTER]	RECALL PRE-POSITION (1 to 15)

Bosch [Set] [101 to 108] commands are used to set the Javelin camera movement limits.

[SET] [101] [ENTER]	SET RIGHT LIMIT
[SET] [102] [ENTER]	CLEAR RIGHT LIMIT
[SET] [103] [ENTER]	SET DOWN LIMIT
[SET] [104] [ENTER]	CLEAR DOWN LIMIT
[SET] [105] [ENTER]	SET LEFT LIMIT
[SET] [106] [ENTER]	CLEAR LEFT LIMIT
[SET] [107] [ENTER]	SET UP LIMIT
[SET] [108] [ENTER]	CLEAR UP LIMIT

There are six Javelin "F" keys that can be used to control relays. Bosch Aux On commands are converted to the "F" key commands. Aux On numbers [1 to 63] are used for all possible "F" key combinations. Single "F" keys are converted as follows.

[ON] [1] [ENTER]	F1 KEY
[ON] [2] [ENTER]	F2 KEY
[ON] [4] [ENTER]	F3 KEY
[ON] [8] [ENTER]	F4 KEY
[ON] [16] [ENTER]	F5 KEY
[ON] [32] [ENTER]	F6 KEY

For "F" key combinations, refer the the chart on the next page.

"F" KEY COMBINATION CHART

ON#	F1	F2	F3	F4	F5	F6
01	■					
02		■				
03	■	■				
04			■			
05	■		■			
06		■	■			
07	■	■	■			
08				■		
09	■			■		
10		■		■		
11	■	■		■		
12			■	■		
13	■		■	■		
14		■	■	■		
15	■	■	■	■		
16					■	
17	■				■	
18		■			■	
19	■	■			■	
20			■		■	
21	■	■			■	
22		■	■		■	
23	■	■			■	
24				■	■	
25	■			■	■	
26		■		■	■	
27	■	■			■	
28			■	■	■	
29	■			■	■	
30		■	■		■	
31	■	■			■	
32						■
33	■					■
34		■				■
35	■	■				■
36			■			■
37	■					■
38		■				■
39	■	■				■
40			■			■
41	■					■
42		■				■
43	■	■				■
44			■			■
45	■					■
46		■				■
47	■	■				■
48			■			■
49	■					■
50		■				■
51	■	■				■
52			■			■
53	■					■
54		■				■
55	■	■				■
56			■			■
57	■					■
58		■				■
59	■	■				■
60			■			■
61	■					■
62		■				■
63	■	■				■

