

Sennetech

SCT-1067

**CAMERA CONTROL CODE TRANSLATOR
SENSORMATIC RS-422 to PELCO RS-422 Ver. 1.5**

www.sennetech.net

Sennetech, Inc. 6455 W. Bath Rd. Perry, MI 48872 U.S.A. Ph (517) 675-1150 Fax (517) 675-1151

PRODUCT DESCRIPTION

The SCT-1067 is a Sensormatic to Pelco control code translator designed to permit control of Pelco cameras from Sensormatic RS-422 controllers. It receives Sensormatic RS-422 commands and converts them to the appropriate Pelco commands. There are four independent Pelco outputs.

The code translator will appear to the Sensormatic controller as a group of responding domes. Internal switches set the low camera number and the high camera number to which the translator will respond.

Version 1.5 adds support for presets up to 60.

Input and output connections are made with mating screw terminal connectors. Front panel LEDs indicate status of power, receive, and transmit.

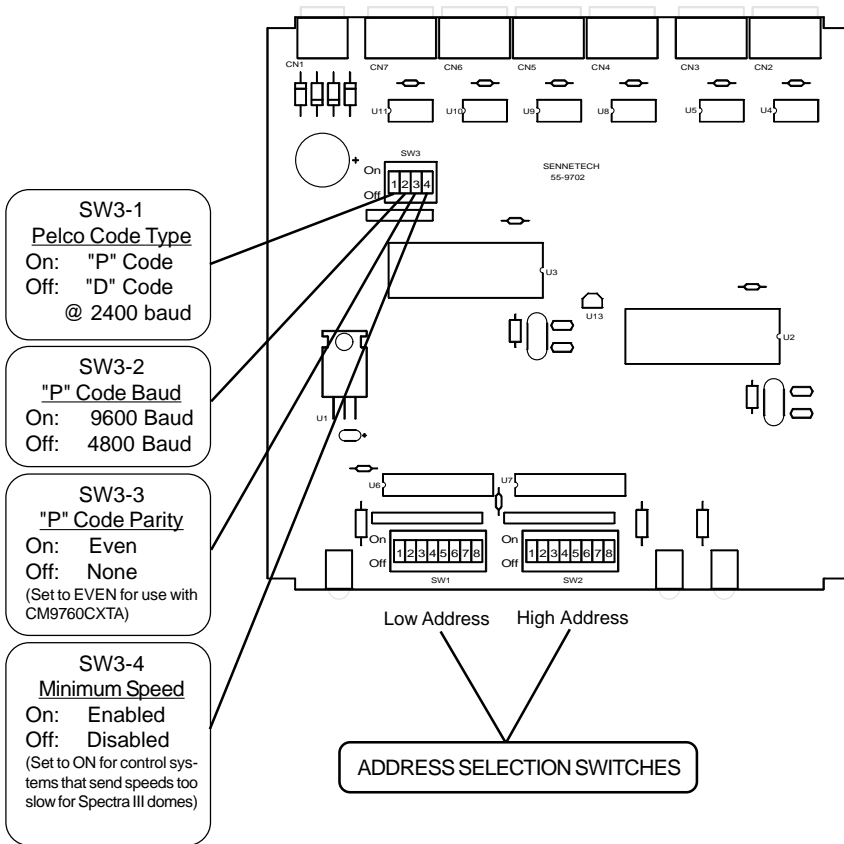
There is an optional 19" rack mount panel (one rack unit high).

SPECIFICATIONS

SIZE:	5.57"W x 1.52H x 5.45D
WEIGHT:	1.5 lbs.
POWER:	9Volt to 15Volt AC or DC at 75ma
INDICATORS:	Front panel LEDs: Power, Rx, & Tx
SENSORMATIC DATA IN:	(1) mating 3-pin screw terminal connector
SENSORMATIC RESPONSE OUT:	(1) mating 3-pin screw terminal connector
PELCO OUTPUTS:	(4) mating 3-pin screw terminal connectors

SETTING THE SWITCHES

To set the configuration switches, remove the back panel, which is secured by two screws. Then slide the cover back to expose the switches. The switches can be changed while the code trans-
lator is powered up and the new settings will take effect immediately.



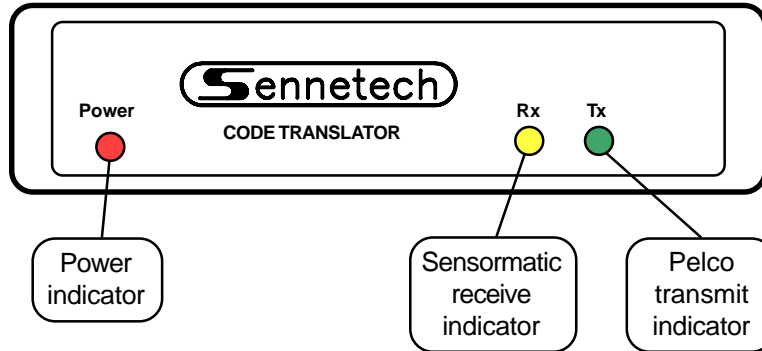
The address switches have the following values, read from left to right.

1	2	4	8	16	32	64	128
---	---	---	---	----	----	----	-----

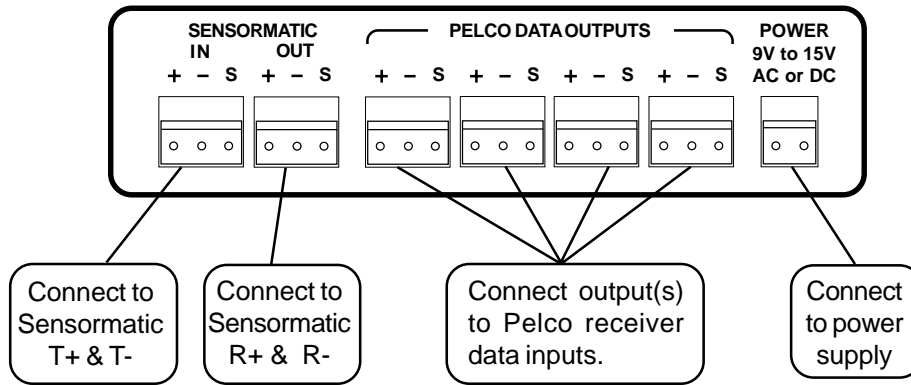
The camera numbers are entered by setting to ON the switches whose values total up to the desired number. For example, to enter the number 141, you would set to ON switches that have values $128 + 8 + 4 + 1 = 141$. The Camera Address Switch Setting Chart shows the settings for numbers 1 to 256.

INSTALLATION

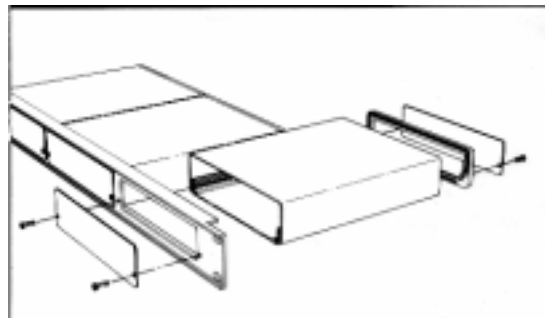
FRONT PANEL



REAR PANEL



To install the case on the rack mount frame, remove the front panel and the plastic bezel. The rack mount frame takes the place of the bezel as shown below.



OPERATION

Sensormatic Pan, Tilt, Zoom, Focus, and Iris commands are converted to the equivalent Pelco commands.

Using a Touch Tracker Keyboard

Other commands are converted according to the following table using a Touch Tracker keyboard.

<u>SENSORMATIC COMMAND</u>	<u>PELCO COMMAND</u>
Define Quickview 1	Program Preset 1
Define Quickview 2	Program Preset 2
Define Quickview 3	Program Preset 3
Define Quickview 4	Program Preset 4
Quickview 1	Goto Preset 1
Quickview 2	Goto Preset 2
Quickview 3	Goto Preset 3
Quickview 4	Goto Preset 4
Flip	Flip
Record Pattern 1~3	Record Pattern 1~3
Save New Pattern	Define Pattern End
Run Pattern 1~3	Run Pattern 1~3

Sensormatic uses multiple-key commands for special functions:

Iris Open + Focus Near or Far + Zoom Out	Pgm Preset 95 - Dome Menu (While the menu is active, use joystick to navigate and Iris Open to select items.)
--	--

Using an AD 2078 to 2089 Style Keyboard in a MegaPower System

With an AD 2083-02B code converter, there will be no direct preset commands available.

With an AD 2083-02C code converter, presets up to 60 are available.

<u>KEYBOARD COMMAND</u>	<u>SENSORMATIC COMMAND</u>	<u>PELCO COMMAND</u>
67 Call Shot	Flip	Flip
70 Call Shot	Run Pattern 1	Run Pattern 1
71 Call Shot	Run Pattern 2	Run Pattern 2
72 Call Shot	Run Pattern 3	Run Pattern 3
66 Set Shot	Iris Open+Focus Near+Zoom Out	Pgm Preset 95 - Activate Dome Menu
69 Set Shot	Save New Pattern	Define Pattern End
70 Set Shot	Define Pattern 1	Record Pattern 1
71 Set Shot	Define Pattern 2	Record Pattern 2
72 Set Shot	Define Pattern 3	Record Pattern 3

