

Sennetech

SCT-1013

**CAMERA CONTROL CODE TRANSLATOR
VICON RS-422 to AD MANCHESTER Ver. 1.3**

www.sennetech.net

Sennetech, Inc. 6455 W. Bath Rd. Perry, MI 48872 U.S.A. Ph (517) 675-1150 Fax (517) 675-1151

PRODUCT DESCRIPTION

The SCT-1013 is a Vicon to American Dynamics control code translator designed to permit control of AD cameras from Vicon VPS series controllers. It receives Vicon RS-422 commands and transmits the appropriate commands in AD manchester format. There are four independent AD outputs.

The SCT-1013 will appear to the Vicon controller as a group of responding receiver/drivers. Internal switches set the low camera number and the high camera number to which the translator will respond. It can be configured to work with either fixed or variable speed Vicon controllers, and fixed or variable speed AD receivers.

The Vicon input baud rate can be configured for 4800 or 9600.

Input and output connections are made with mating screw terminal connectors. Front panel LEDs indicate status of power, receive, and transmit.

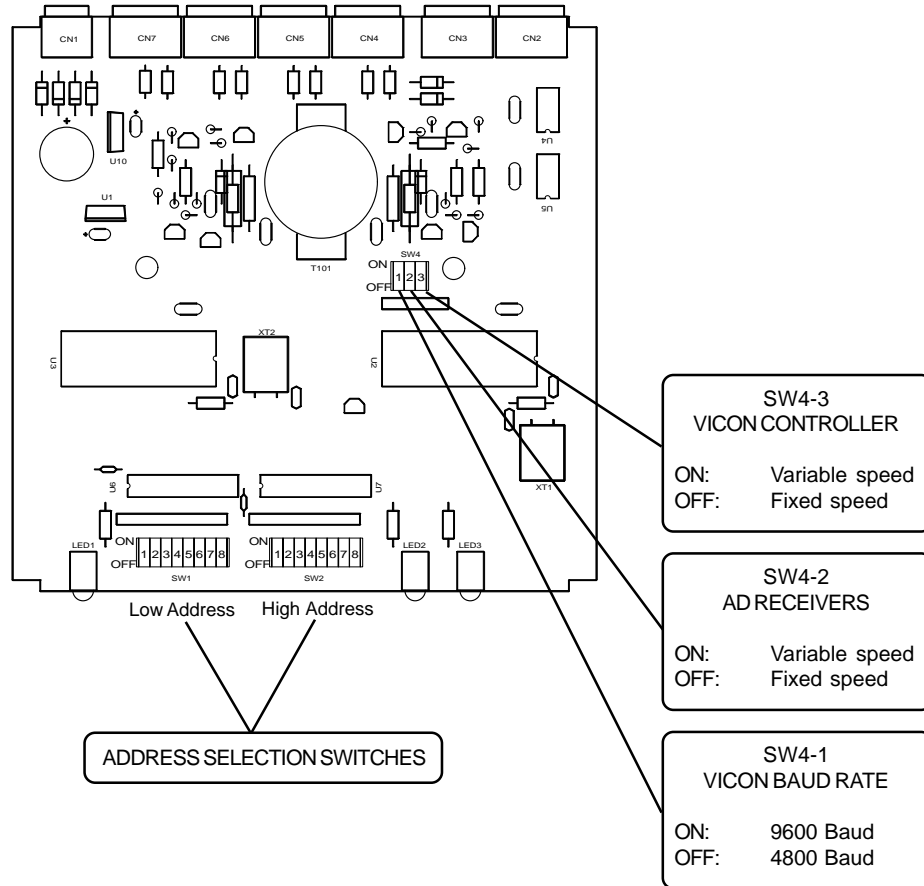
There is an optional 19" rack mount panel (one rack unit high).

SPECIFICATIONS

SIZE:	5.57"W x 1.52H x 5.45D
WEIGHT:	1.5 lbs.
POWER:	12Volt to 15Volt AC or DC at 75ma
INDICATORS:	Front panel LEDs: Power, Rx, & Tx
VICON DATA INPUT:	(1) mating 3-pin screw terminal connector
VICON RSP OUTPUT:	(1) mating 3-pin screw terminal connector
AD OUTPUTS:	(4) mating 3-pin screw terminal connectors

SETTING THE SWITCHES

To set the configuration switches, remove the back panel, which is secured by two screws. Then slide the cover back to expose the switches. The switches can be changed while the code translator is powered up and the new settings will take effect immediately.



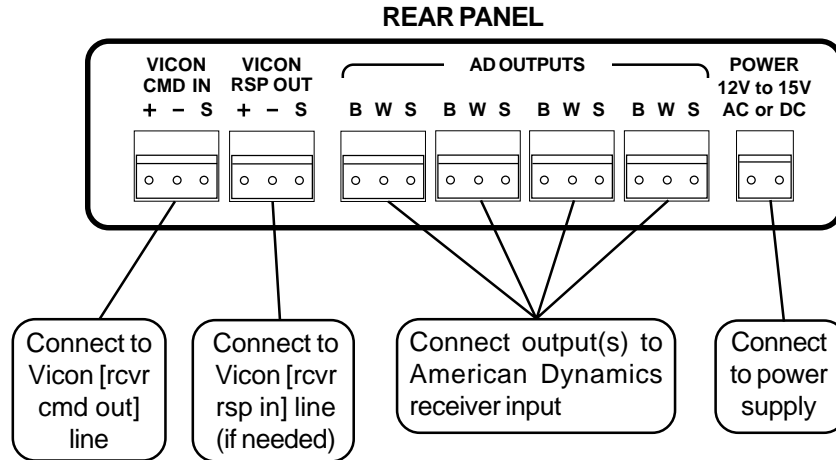
The address switches define a "window" of Vicon camera address numbers to be accepted by the code translator. Commands for addresses outside this window will be ignored.

The preferred mode of operation is simplex mode with the response line not connected. If it is connected, the code translator will appear to the Vicon controller as all the cameras defined by the address selection switches.

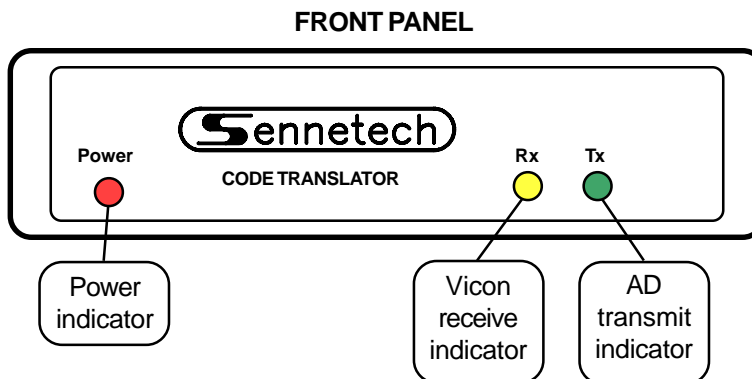
AD manchester code receiver addresses range from 1 to 64. The size of the window will not exceed 64. The highest address in the window will be limited to the lowest address plus 63, even if the high address switch is set to a higher number. If the low and high addresses are set to the same number, only that address will get through.

The conversion chart shows the address that will be sent to the AD receiver for each Vicon address. The address window can cross an AD block of 64. If, for example, the low address is [11], then the high address can be [74]. In this case, the receiver to be controlled as Camera 65 must have its address set to [1], and the next one to [2], and so on.

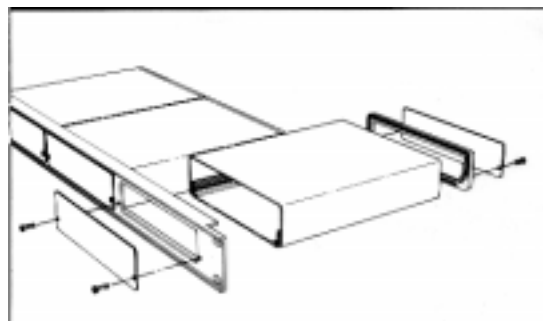
INSTALLATION



The The SCT-1013 code translator should be installed in the Vicon system as if it were a Vicon receiver.



To install the case on the rack mount frame, remove the front panel and the plastic bezel. The rack mount frame takes the place of the bezel as shown below.



OPERATION

Vicon Pan, Tilt, Zoom, Focus, Iris, and pre-position commands are converted to the equivalent AD commands.

