



## **SCT-1018**

**CAMERA CONTROL CODE TRANSLATOR  
PELCO RS-422 to AD MANCHESTER Ver 1.7**

[www.sennetech.net](http://www.sennetech.net)

**Sennetech, Inc. 6455 W. Bath Rd. Perry, MI 48872 U.S.A. Ph (517) 675-1150 Fax(517) 675-1151**

## PRODUCT DESCRIPTION

The SCT-1018 is a Pelco to American Dynamics control code translator designed to permit control of AD cameras from Pelco controllers. It receives Pelco RS-422 (P or D) commands and transmits the appropriate commands in AD manchester format. AD manchester output address range is 1 ~ 64. There are four independent AD outputs.

Internal switches set the configuration for Pelco code type and baud rate. The manchester output can be limited to fixed speed commands for compatibility with older AD receivers.

Input and output connections are made with mating screw terminal connectors. Front panel LEDs indicate status of power, receive, and transmit.

There is an optional 19" rack mount panel (one rack unit high).

Version 1.5 adds support for Pelco Pattern commands.

Version 1.6 adds address offset switches so Pelco addresses up to 256 can be used.

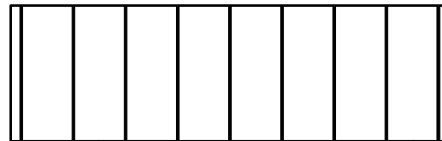
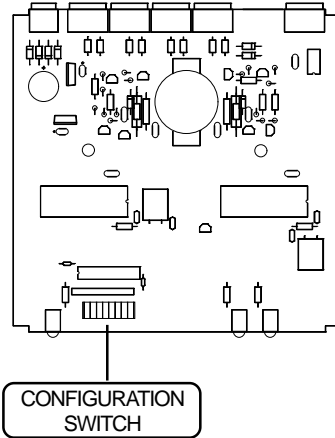
Version 1.7 adds support for AD aux commands.

## SPECIFICATIONS

SIZE:	5.57"W x 1.52H x 5.45D
WEIGHT:	1.5 lb
POWER:	12Volt to 15Volt AC or DC at 75ma
INDICATORS:	Front panel LEDs: Power, Rx, and Tx
PELCO RS-422 INPUT:	(1) mating 3-pin screw terminal connector
AD MANCHESTER OUTPUT:	4) mating 3-pin screw terminal connectors

## SETTING THE SWITCHES

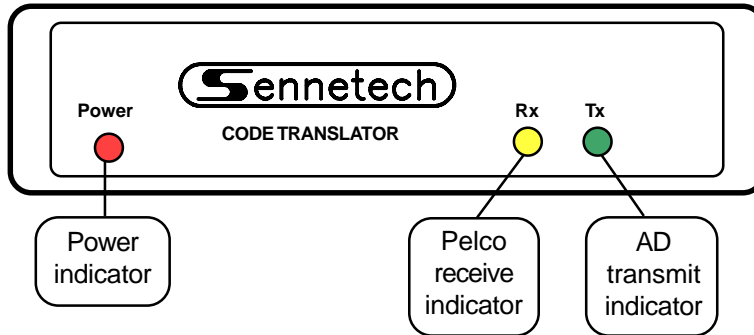
To set the configuration switches, remove the back panel which is secured by two screws. Then slide the cover back to expose the switches. The switches can be changed with power applied and the changes take effect immediately.



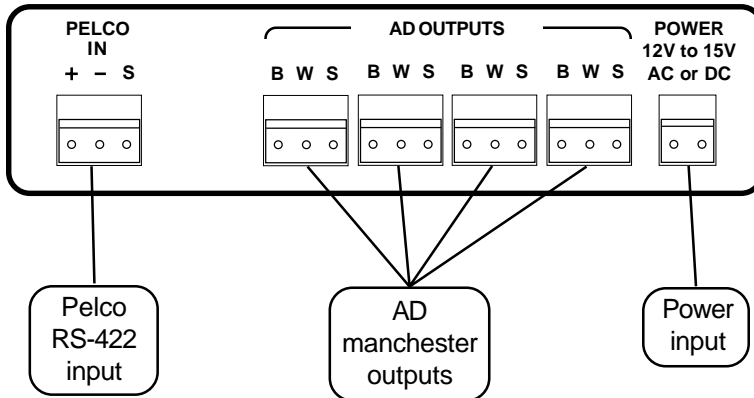
SW1-1 & SW1-2 ADDRESS GROUP SELECTION				SW1-5 PELCO CODE TYPE	SW1-6 P CODE BAUD RATE	SW1-8 AD CODE TYPE
<u>SW1</u>	<u>SW2</u>	<u>Pelco</u>	<u>AD</u>	ON: "P" Code select baud rate with SW1-6	ON: 9600 Baud OFF: 4800 Baud	ON: Variable speed OFF: Fixed speed
OFF	OFF	1~64	1~64	OFF: "D" Code @ 2400 baud		
ON	OFF	65~128	1~64			
OFF	ON	129~192	1~64			
ON	ON	193~256	1~64			
(AD manchester address range is 1 ~ 64)						

## INSTALLATION

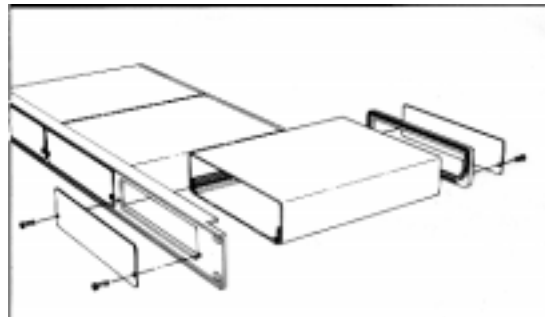
### FRONT PANEL



### REAR PANEL



To install the case on the rack mount frame, remove the front panel and the plastic bezel. The rack mount frame takes the place of the bezel as shown below.



## Operation

Pelco pan, tilt, zoom, focus, and iris commands are converted to the equivalent AD manchester commands.

Additional commands are converted according to the following table.

<u>PELCO COMMAND</u>	<u>AD COMMAND</u>
	<u>PRESETS</u>
Pgm Preset 1 ~ 72	Set Shot 1 ~ 72
Preset 1 ~ 72	Call Shot 1 ~ 72
Pgm Preset 95	Set Preset 66 Start Dome Configuration Menu (Use Tilt to navigate, Focus & Zoom to select values)
	<u>PATTERNS</u>
Pgm Pattern 1 ~ 3	Start Recording Pattern 1 ~ 3
End Pattern	Stop Recording (Accept new pattern)
Run Pattern 1 ~ 3	Auto Repeat Pattern 1 ~ 3

### AUX ON & OFF

AD manchester protocol supports three Aux On and Aux Off commands. If sent from an AD keyboard, the commands would repeat while the key is held down. When receiving a Pelco Aux (1~3) command, the code translator will emulate an operator holding down the key for 1/2 second.

