

Sennetech

SCT-1025

**CAMERA CONTROL CODE TRANSLATOR
AD MANCHESTER to SENSORMATIC RS-422 Ver. 1.3**

www.sennetech.net

Sennetech, Inc. 6455 W. Bath Rd. Perry, MI 48872 U.S.A. Ph (517) 675-1150 Fax (517) 675-1151

PRODUCT DESCRIPTION

The SCT-1025 is an American Dynamics to Sensormatic control code translator designed to permit control of Sensormatic cameras from AD controllers. It receives AD manchester format commands and transmits the appropriate commands in Sensormatic RS-422 format. There are four independent RS-422 outputs.

Internal switches select operation with fixed or variable speed AD controllers.

Input and output connections are made with mating screw terminal connectors. Front panel LEDs indicate status of power, receive, and transmit.

There is an optional 19" rack mount panel (one rack unit high).

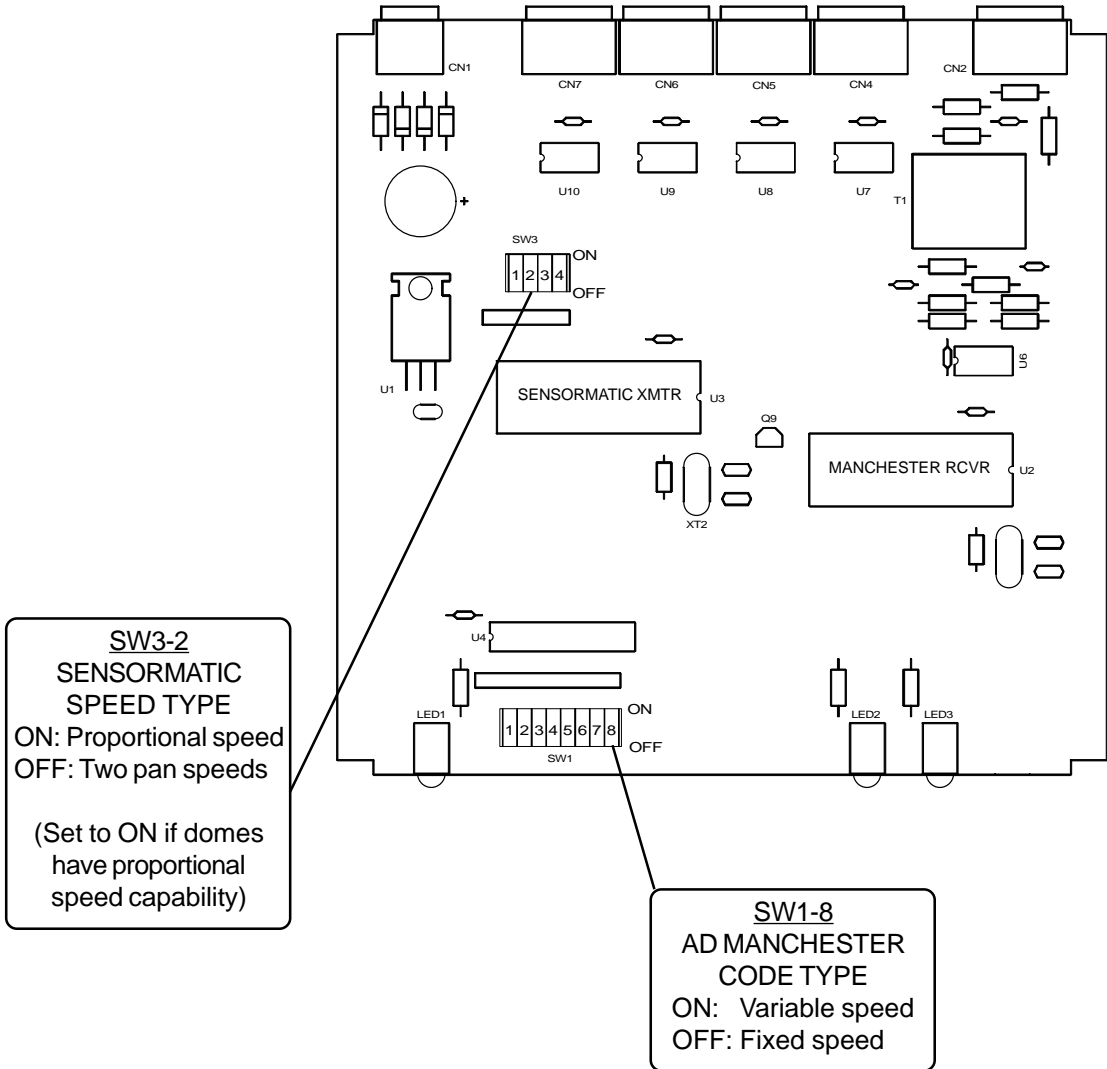
Version 1.3 changes some commands to more closely match the code from an AD2083-02.

SPECIFICATIONS

| | |
|-----------------------------|--|
| SIZE: | 5.57"W x 1.52H x 5.45D |
| WEIGHT: | 1.5 lbs. |
| POWER: | 9Volt to 15Volt AC or DC at 75ma |
| INDICATORS: | Front panel LEDs: Power, Rx, & Tx |
| AD MANCHESTER INPUT: | (1) mating 3-pin screw terminal connector |
| SENSORMATIC RS-422 OUTPUTS: | (4) mating 3-pin screw terminal connectors |

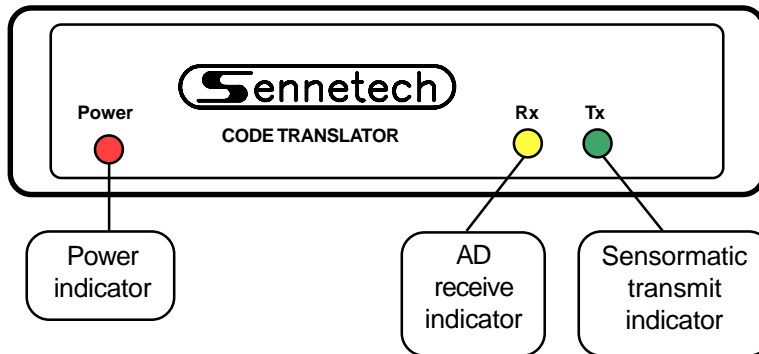
SETTING THE SWITCHES

To set the configuration switches, remove the back panel, which is secured by two screws. Then slide the cover back to expose the switches. The switches can be changed while the code translator is powered up and the new settings will take effect immediately.

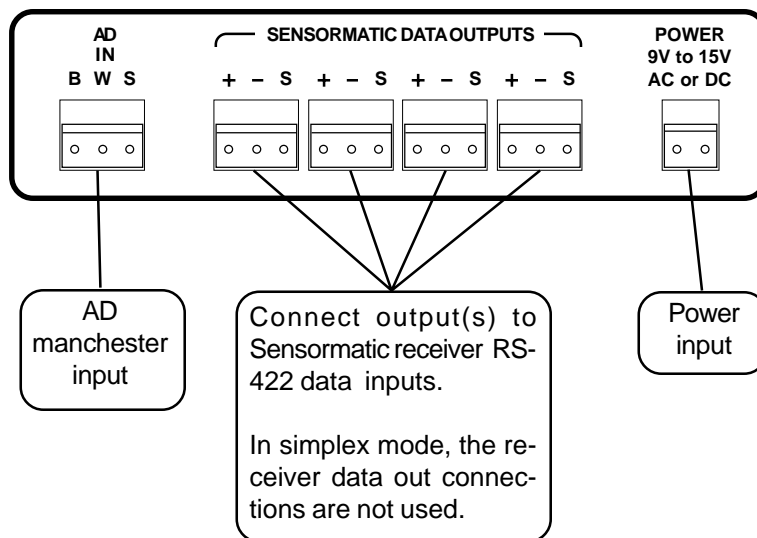


INSTALLATION

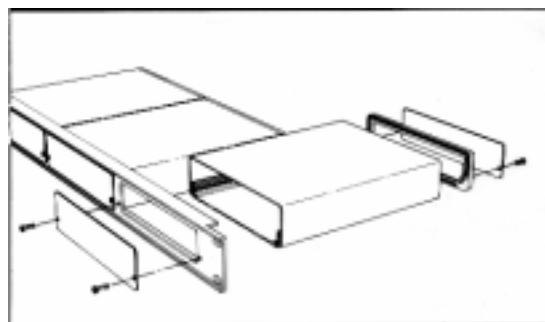
FRONT PANEL



REAR PANEL



To install the case on the rack mount frame, remove the front panel and the plastic bezel. The rack mount frame takes the place of the bezel as shown below.



OPERATION

The AD Pan, Tilt, Zoom, Focus, and Iris commands are converted to the equivalent Sensormatic commands. Additional commands are converted according to the following table.

| <u>AD COMMAND</u> | <u>SENSORMATIC COMMAND</u> |
|------------------------------------|--|
| 1 Call to 7 Call 1 Set to 7 Set | Call Preset 1 to 7 Set Preset 1 to 7 |
| 51 Call 52 Call 53 Call | Run Pattern 1 Run Pattern 2 Run Pattern 3 |
| 57 Set 58 Set | Enter V-phase Adjust Mode (use Iris to adjust) Exit V-phase Adjust Mode |
| 65 Set 66 Set | Reset Dome Dome Configuration Menu (Use Pan and Tilt to move the highlight bar, Focus Far to select highlighted item, and Zoom to change values or display next choice.) |
| 65 Call 66 Call 67 Call | Home Camera Return to Auto-Iris/Auto-Focus Flip (Camera position 180°) |
| 68 Set 69 Set | End Pattern Definition Accept (save) New Pattern |
| 70 Set 71 Set 72 Set | Define Pattern 1 Define Pattern 2 Define Pattern 3 |
| 70 Call 71 Call 72 Call | Auto Repeat Pattern 1 Auto Repeat Pattern 2 Auto Repeat Pattern 3 |

