



SCT-1038

**CAMERA CONTROL CODE TRANSLATOR
VICON RS-422 TO JAVELIN RS-232 Ver. 1.0
(For Javelin JO308 Receivers)**

www.sennetech.net

Sennetech, Inc. 6455 W. Bath Rd. Perry, MI 48872 U.S.A. Ph (517) 675-1150 Fax (517) 675-1151

PRODUCT DESCRIPTION

The SCT-1038 is a Vicon to Javelin control code translator designed to permit control of Javelin JO308 receivers from Vicon VPS series controllers. It receives Vicon RS-422 commands and transmits the appropriate commands in Javelin RS-232 code format. There are four independent Javelin outputs.

The SCT-1038 will appear to the Vicon controller as a group of responding receiver/drivers. Internal switches set the low camera number and the high camera number to which the translator will respond.

Input and output connections are made with mating screw terminal connectors. Front panel LEDs indicate status of power, receive, and transmit.

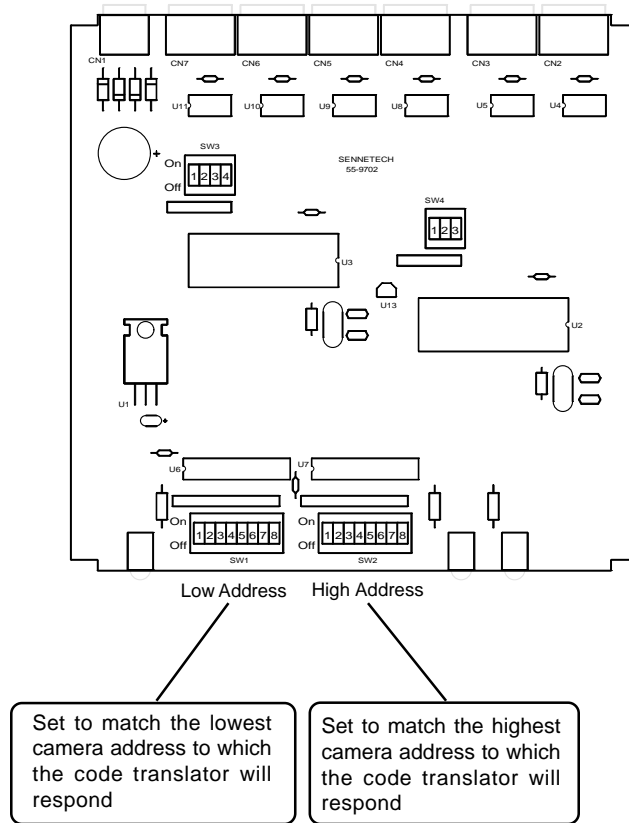
There is an optional 19" rack mount panel (one rack unit high).

SPECIFICATIONS

SIZE:	5.57"W x 1.52H x 5.45D
WEIGHT:	1.5 lbs.
POWER:	9Volt to 15Volt AC or DC at 75ma
INDICATORS:	Front panel LEDs: Power, Rx, & Tx,
VICON DATA INPUT:	(1) mating 3-pin screw terminal connector
VICON RESPONSE OUTPUT:	(1) mating 3-pin screw terminal connector
JAVELIN OUTPUTS:	(4) mating 3-pin screw terminal connectors

SETTING THE SWITCHES

To set the configuration switches, remove the back panel, which is secured by two screws. Then slide the cover back to expose the switches. The switches can be changed while the code translator is powered up and the new settings will take effect immediately.

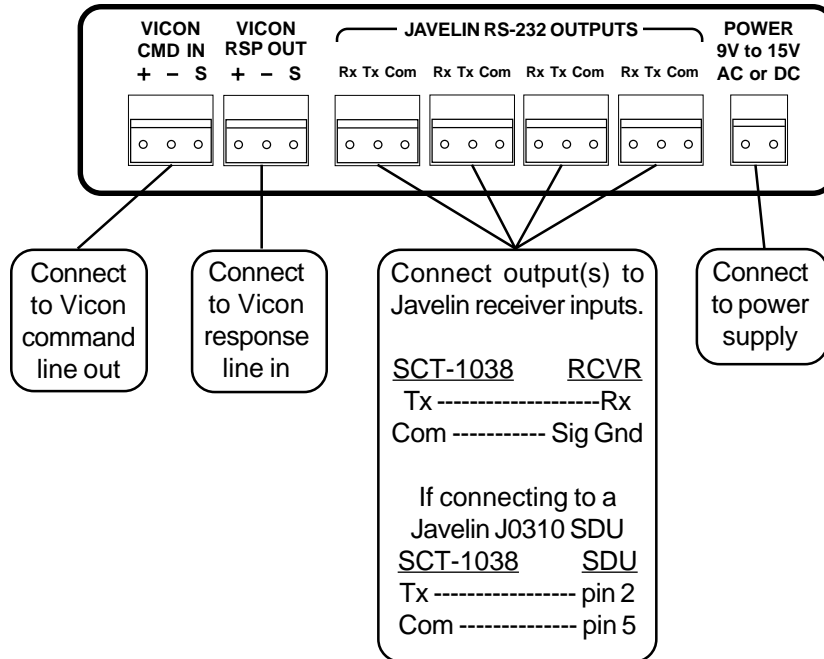


The code translator will appear as a group of cameras to the controller. To prevent interference between the responses from the code translator and any Vicon cameras in the system, set the switches to include only the Javelin camera addresses.

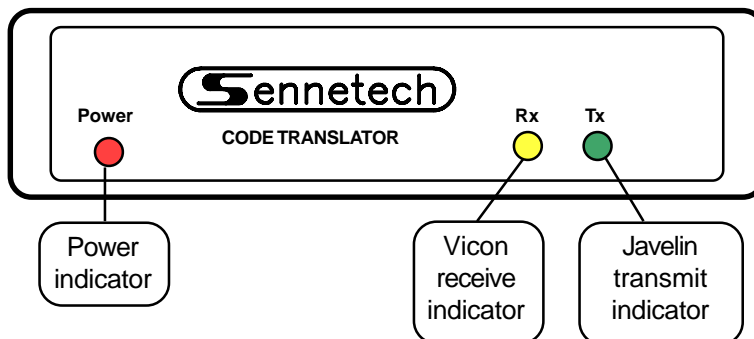
The chart on the following page shows the switch configuration for each address.

INSTALLATION

REAR PANEL



FRONT PANEL



OPERATION

Vicon Pan, Tilt, Zoom, Focus, and Iris commands are converted to the equivalent Javelin commands.

Vicon Program and Run commands for Pre-positions 1 to 16 are converted to Javelin Pre-position commands.

Vicon Program Pre-positions 91 through 98 are converted according to the following table:

<u>Vicon</u>	<u>Javelin</u>
Pgm Pre-position 91	Set Right Limit
Pgm Pre-position 92	Clear Right Limit
Pgm Pre-position 93	Set Down Limit
Pgm Pre-position 94	Clear Down Limit
Pgm Pre-position 95	Set Left Limit
Pgm Pre-position 96	Clear Left Limit
Pgm Pre-position 97	Set Up Limit
Pgm Pre-position 98	Clear Up Limit

The Vicon [Aux] keys are converted to the Javelin functions that would have been activated from the Javelin "F" keys.

