



SCT-1043

**CAMERA CONTROL CODE TRANSLATOR
DIAMOND RS-422 TO PELCO RS-422 Ver. 1.1**

www.sennetech.net

Sennetech, Inc. 6455 W. Bath Rd. Perry, MI 48872 U.S.A. Ph (517) 675-1150 Fax (517) 675-1151

PRODUCT DESCRIPTION

The SCT-1043 is a Diamond to Pelco control code translator designed to permit control of Pelco cameras from Diamond controllers. It receives Diamond RS-422 commands and re-transmits them as Pelco RS-422 commands. There are four independent Pelco outputs.

Internal switches are used to configure the operation of the code translator. The output can be Pelco "P" or "D" code. For Pelco "P" code, the Diamond address can be converted to one of eight groups of 32 Pelco addresses.

Input and output connections are made with mating screw terminal connectors. Front panel LEDs indicate status of power, receive, and transmit.

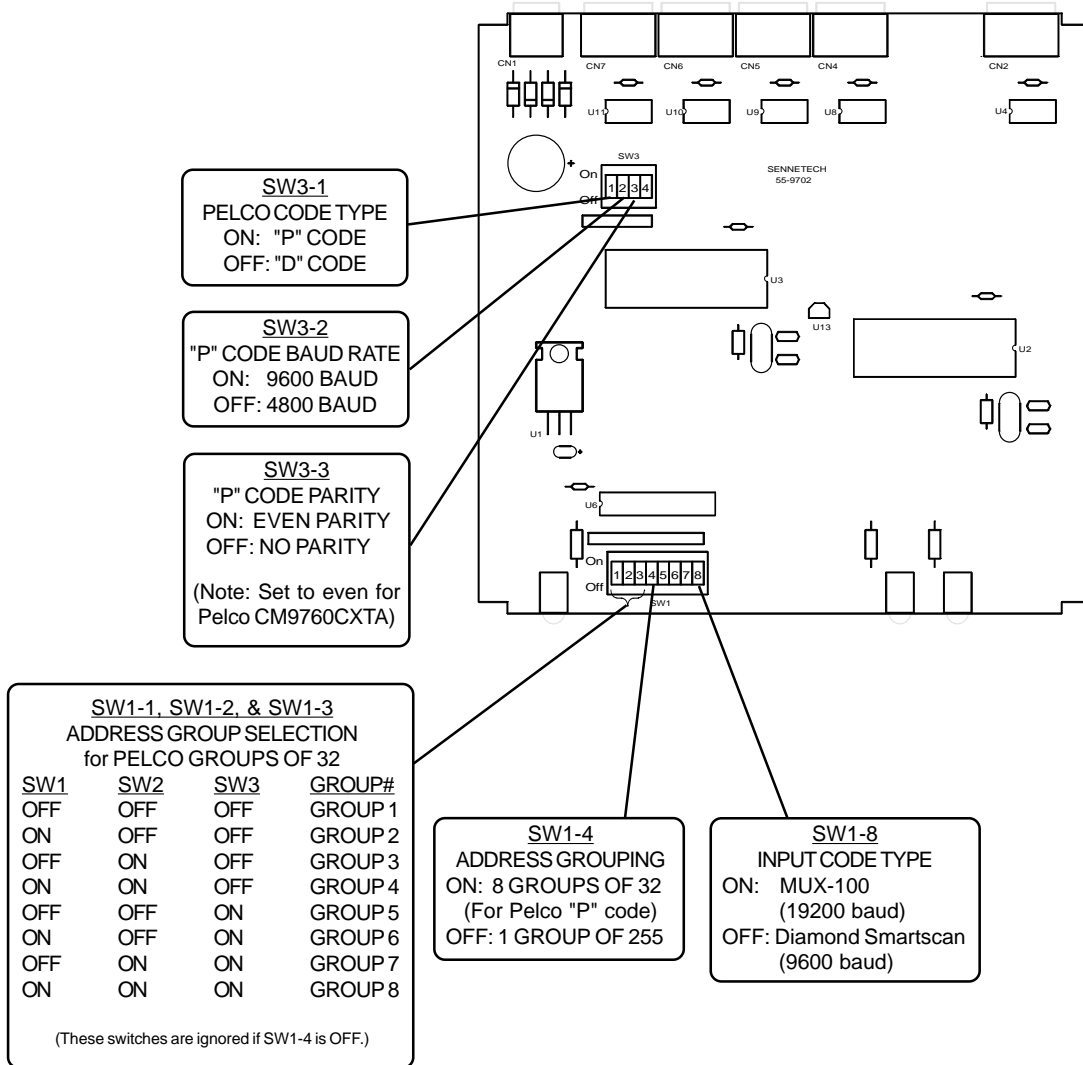
There is an optional 19" rack mount panel (one rack unit high).

SPECIFICATIONS

SIZE:	5.57"W x 1.52H x 5.45D
WEIGHT:	1.5 lbs.
POWER:	9Volt to 15Volt AC or DC at 75ma
INDICATORS:	Front panel LEDs: Power, Rx, & Tx
DIAMOND INPUT:	(1) mating 3-pin screw terminal connector
PELCO OUTPUTS:	(4) mating 3-pin screw terminal connectors

SETTING THE SWITCHES

To set the switches, remove the back panel, which is secured by two screws. Then slide the cover back to expose the switches. The switches can be changed while the code translator is powered up and the new settings will take effect immediately.



Configuration notes

Switch 3 sets the Pelco code parameters. If these parameters are already established for the system in which the code translator is to be installed, use those settings. If the choice is open and Pelco Spectra domes are to be installed, "D" code is recommended to avoid the 32-address limitation. "D" code is fixed at 2400 baud, so the baud rate and parity switches do not apply.

Camera Address Conversion:

Positions 1 through 4 of Switch 1 determine how Diamond camera address numbers are converted to Pelco camera address numbers.

If SW1-4 is off, the Diamond addresses are converted directly to Pelco addresses.

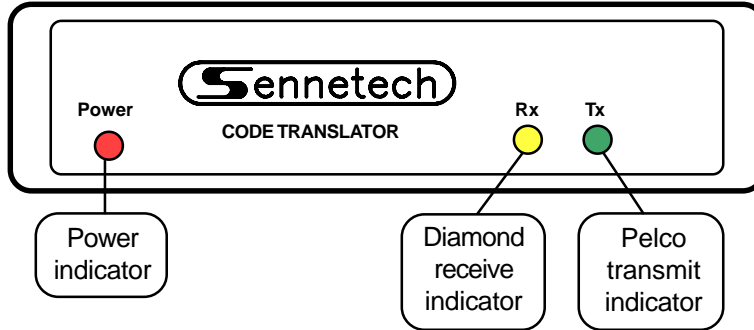
If SW1-4 is on, only the 32 Diamond addresses in the group selected by SW1-1 to SW1-3 will pass through the code translator. They will be converted to Pelco addresses from 1 to 32.

CONVERSION CHART FOR ADDRESS GROUP SIZE OF 32 (For Pelco receivers configured for "P" code)

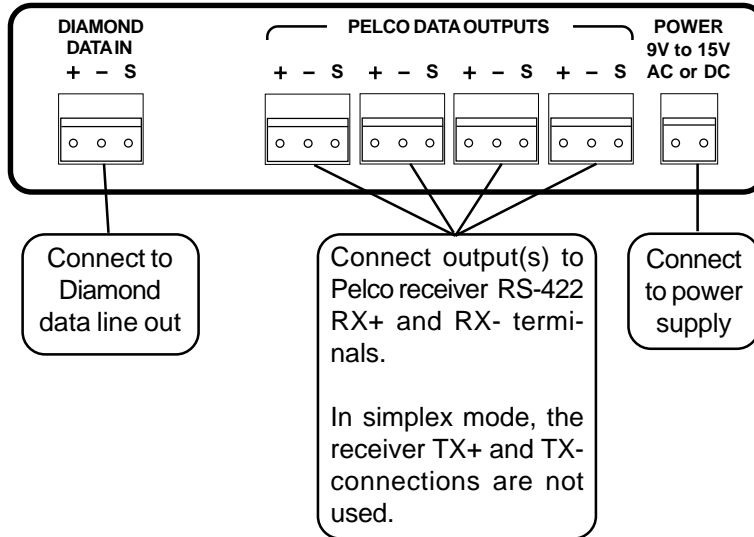
GROUP 1		GROUP 2		GROUP 3		GROUP 4		GROUP 5		GROUP 6		GROUP 7		GROUP 8	
IN	OUT	IN	OUT	IN	OUT	IN	OUT	IN	OUT	IN	OUT	IN	OUT	IN	OUT
1	1	33	1	65	1	97	1	129	1	161	1	193	1	225	1
2	2	34	2	66	2	98	2	130	2	162	2	194	2	226	2
3	3	35	3	67	3	99	3	131	3	163	3	195	3	227	3
4	4	36	4	68	4	100	4	132	4	164	4	196	4	228	4
5	5	37	5	69	5	101	5	133	5	165	5	197	5	229	5
6	6	38	6	70	6	102	6	134	6	166	6	198	6	230	6
7	7	39	7	71	7	103	7	135	7	167	7	199	7	231	7
8	8	40	8	72	8	104	8	136	8	168	8	200	8	232	8
9	9	41	9	73	9	105	9	137	9	169	9	201	9	233	9
10	10	42	10	74	10	106	10	138	10	170	10	202	10	234	10
11	11	43	11	75	11	107	11	139	11	171	11	203	11	235	11
12	12	44	12	76	12	108	12	140	12	172	12	204	12	236	12
13	13	45	13	77	13	109	13	141	13	173	13	205	13	237	13
14	14	46	14	78	14	110	14	142	14	174	14	206	14	238	14
15	15	47	15	79	15	111	15	143	15	175	15	207	15	239	15
16	16	48	16	80	16	112	16	144	16	176	16	208	16	240	16
17	17	49	17	81	17	113	17	145	17	177	17	209	17	241	17
18	18	50	18	82	18	114	18	146	18	178	18	210	18	242	18
19	19	51	19	83	19	115	19	147	19	179	19	211	19	243	19
20	20	52	20	84	20	116	20	148	20	180	20	212	20	244	20
21	21	53	21	85	21	117	21	149	21	181	21	213	21	245	21
22	22	54	22	86	22	118	22	150	22	182	22	214	22	246	22
23	23	55	23	87	23	119	23	151	23	183	23	215	23	247	23
24	24	56	24	88	24	120	24	152	24	184	24	216	24	248	24
25	25	57	25	89	25	121	25	153	25	185	25	217	25	249	25
26	26	58	26	90	26	122	26	154	26	186	26	218	26	250	26
27	27	59	27	91	27	123	27	155	27	187	27	219	27	251	27
28	28	60	28	92	28	124	28	156	28	188	28	220	28	252	28
29	29	61	29	93	29	125	29	157	29	189	29	221	29	253	29
30	30	62	30	94	30	126	30	158	30	190	30	222	30	254	30
31	31	63	31	95	31	127	31	159	31	191	31	223	31	255	31
32	32	64	32	96	32	128	32	160	32	192	32	224	32		

INSTALLATION

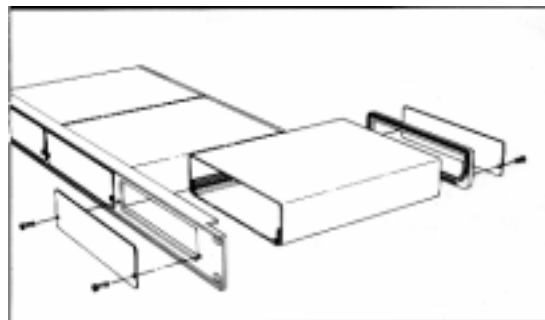
FRONT PANEL



BACK PANEL



To install the case on the rack mount frame, remove the front panel and the plastic bezel. The rack mount frame takes the place of the bezel as shown below.



OPERATION

Diamond Pan, Tilt, Zoom, Focus, and Iris commands are converted directly to the equivalent Pelco commands.

Aux functions:

Aux On & Aux Off [1] through [8] are converted.

Presets:

Most of the Diamond preset commands are converted directly to Pelco preset commands. Pelco Spectra domes convert some of the higher presets according to the following table.

<u>Diamond Command</u>	<u>Pelco Command</u>
Prgm 90	Set Manual Scan Left Limit
Prgm 91	Set Manual Scan Right Limit
Prgm 92	Set Auto Scan Left Limit
Prgm 93	Set Auto Scan Right Limit
Prgm 95	Display Camera Menu (Use Tilt to navigate and Iris Open to make selections.)
Pshot 97	Start Random Scan
Pshot 98	Start Frame Scan
Pshot 99	Start Auto Scan

Patterns:

Pelco's pattern can be recorded and run as either a full pattern or two halves. To record a pattern, set the start point, move the camera through the desired pattern, and then set the end point.

<u>Diamond Command</u>	<u>Pelco Command</u>
Prgm 43	Set Start Point of Full-length Pattern
Prgm 44	Set Start Point of 1st Half-length Pattern
Prgm 45	Set Start Point of 2nd Half-length Pattern
Prgm 33	Set End Point of Full-length Pattern
Prgm 34	Set End Point of 1st Half-length Pattern
Prgm 35	Set End Point of 2nd Half-length Pattern
Pshot 33	Run Full-length Pattern
Pshot 34	Run 1st Half-length Pattern
Pshot 35	Run 2nd Half-length Pattern

Lens Motor Speeds:

The following Diamond commands are used to set the zoom and focus speeds.

<u>Diamond Command</u>	<u>Pelco Command</u>
Pshot 41	Set Zoom Speed 0
Pshot 42	Set Zoom Speed 1
Pshot 43	Set Zoom Speed 2
Pshot 44	Set Zoom Speed 3
Pshot 45	Set Focus Speed 0
Pshot 46	Set Focus Speed 1
Pshot 47	Set Focus Speed 2
Pshot 48	Set Focus Speed 3

