



## **SCT-1048**

**CAMERA CONTROL CODE TRANSLATOR  
VICON RS-422 to PANASONIC RS-485 Ver. 2.0**

[www.sennetech.net](http://www.sennetech.net)

**Sennetech, Inc. 6455 W. Bath Rd. Perry, MI 48872 U.S.A. Ph (517) 675-1150 Fax (517) 675-1151**



## PRODUCT DESCRIPTION

The SCT-1048 is a Vicon to Panasonic control code translator designed to permit control of Panasonic cameras from Vicon VPS series controllers. It receives Vicon RS-422 commands and transmits the appropriate commands in Panasonic RS-485 code format. There are four independent Panasonic outputs.

The code translator will appear to the Vicon controller as a group of responding receiver/drivers. Internal switches set the low camera number and the high camera number to which the translator will respond.

The Vicon data input baud rate is switch selectable for 4800 or 9600 baud.  
The Panasonic output baud rate is selectable from 2400 to 19,200 baud.

Input and output connections are made with mating screw terminal connectors. Front panel LEDs indicate status of power, receive, and transmit.

Version 2.0 adds support for 9600 baud Vicon code and new oneway Panasonic Protocol.

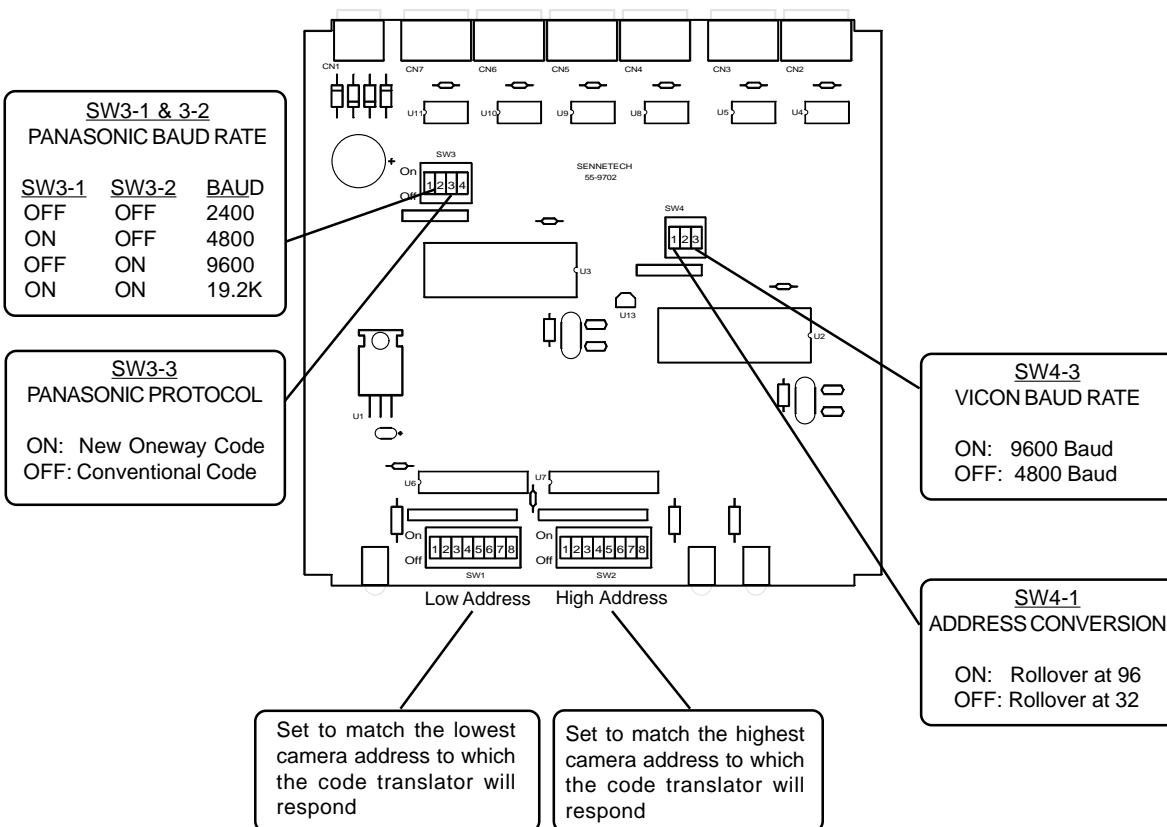
There is an optional 19" rack mount panel (one rack unit high).

## SPECIFICATIONS

SIZE:	5.57"W x 1.52H x 5.45D
WEIGHT:	1.5 lbs.
POWER:	9Volt to 15Volt AC or DC at 75ma
INDICATORS:	Front panel LEDs: Power, Rx, & Tx
VICON CMD INPUT:	(1) mating 3-pin screw terminal connector
VICON RSP OUTPUT:	(1) mating 3-pin screw terminal connector
PANASONIC OUTPUTS:	(4) mating 3-pin screw terminal connectors

## SETTING THE SWITCHES

To set the configuration switches, remove the back panel, which is secured by two screws. Then slide the cover back to expose the switches. The switches can be changed while the code translator is powered up and the new settings will take effect immediately.



The code translator will convert commands and send a response for all addresses between and including the high and low address switch settings.

Some Panasonic devices have a maximum address of 32; others have addresses up to 96. SW4-1 selects whether the Vicon-to-Panasonic address conversion rolls over at 32 or at 96. If it rolls over at 32, Vicon address 33 will be converted to Panasonic address 1, address 34 will become address 2, etc.

The address window set by the low and high address switches should be no larger than either 32 or 96. If it is larger, a single Panasonic address can be generated from more than one Vicon address.

The address conversion chart and the switch setting chart can be used to help determine the switch settings.



ADDRESS CONVERSION CHART for GROUPS OF 96

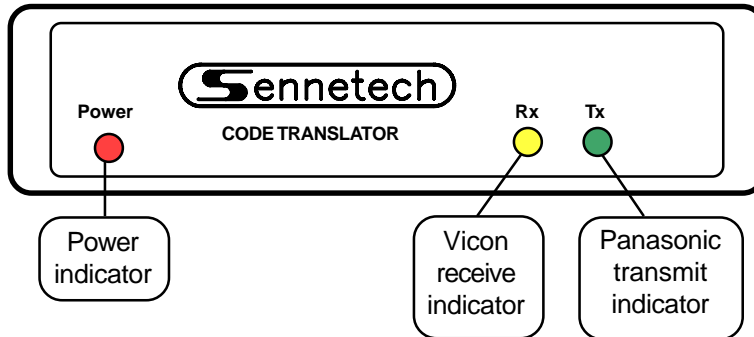
<u>VICON PANASONIC</u>		<u>VICON PANASONIC</u>		<u>VICON PANASONIC</u>		<u>VICON PANASONIC</u>		<u>VICON PANASONIC</u>		<u>VICON PANASONIC</u>	
1	1	49	49	97	1	145	49	193	1	241	49
2	2	50	50	98	2	146	50	194	2	242	50
3	3	51	51	99	3	147	51	195	3	243	51
4	4	52	52	100	4	148	52	196	4	244	52
5	5	53	53	101	5	149	53	197	5	245	53
6	6	54	54	102	6	150	54	198	6	246	54
7	7	55	55	103	7	151	55	199	7	247	55
8	8	56	56	104	8	152	56	200	8	248	56
9	9	57	57	105	9	153	57	201	9	249	57
10	10	58	58	106	10	154	58	202	10	250	58
11	11	59	59	107	11	155	59	203	11	251	59
12	12	60	60	108	12	156	60	204	12	252	60
13	13	61	61	109	13	157	61	205	13	253	61
14	14	62	62	110	14	158	62	206	14	254	62
15	15	63	63	111	15	159	63	207	15	255	63
16	16	64	64	112	16	160	64	208	16	256	64
17	17	65	65	113	17	161	65	209	17		
18	18	66	66	114	18	162	66	210	18		
19	19	67	67	115	19	163	67	211	19		
20	20	68	68	116	20	164	68	212	20		
21	21	69	69	117	21	165	69	213	21		
22	22	70	70	118	22	166	70	214	22		
23	23	71	71	119	23	167	71	215	23		
24	24	72	72	120	24	168	72	216	24		
25	25	73	73	121	25	169	73	217	25		
26	26	74	74	122	26	170	74	218	26		
27	27	75	75	123	27	171	75	219	27		
28	28	76	76	124	28	172	76	220	28		
29	29	77	77	125	29	173	77	221	29		
30	30	78	78	126	30	174	78	222	30		
31	31	79	79	127	31	175	79	223	31		
32	32	80	80	128	32	176	80	224	32		
33	33	81	81	129	33	177	81	225	33		
34	34	82	82	130	34	178	82	226	34		
35	35	83	83	131	35	179	83	227	35		
36	36	84	84	132	36	180	84	228	36		
37	37	85	85	133	37	181	85	229	37		
38	38	86	86	134	38	182	86	230	38		
39	39	87	87	135	39	183	87	231	39		
40	40	88	88	136	40	184	88	232	40		
41	41	89	89	137	41	185	89	233	41		
42	42	90	90	138	42	186	90	234	42		
43	43	91	91	139	43	187	91	235	43		
44	44	92	92	140	44	188	92	236	44		
45	45	93	93	141	45	189	93	237	45		
46	46	94	94	142	46	190	94	238	46		
47	47	95	95	143	47	191	95	239	47		
48	48	96	96	144	48	192	96	240	48		

## ADDRESS CONVERSION CHART for GROUPS OF 32

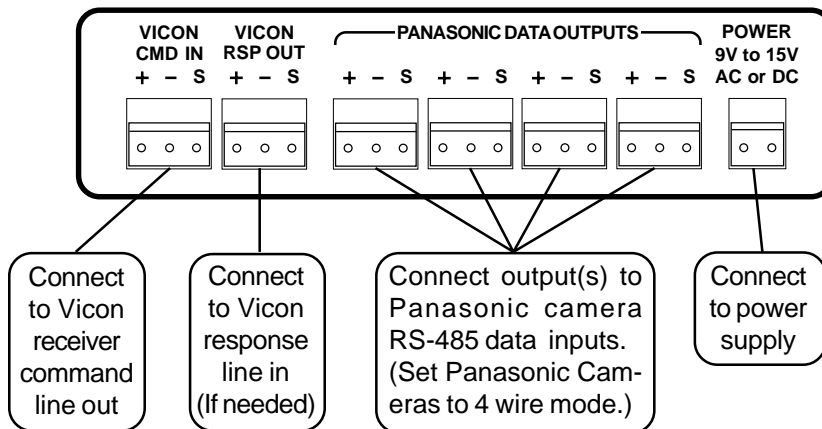
<u>VICON</u>	<u>PANASONIC</u>	<u>VICON</u>	<u>PANASONIC</u>	<u>VICON</u>	<u>PANASONIC</u>	<u>VICON</u>	<u>PANASONIC</u>	<u>VICON</u>	<u>PANASONIC</u>	<u>VICON</u>	<u>PANASONIC</u>
1	1	33	1	65	1	97	1	129	1	161	1
2	2	34	2	66	2	98	2	130	2	162	2
3	3	35	3	67	3	99	3	131	3	163	3
4	4	36	4	68	4	100	4	132	4	164	4
5	5	37	5	69	5	101	5	133	5	165	5
6	6	38	6	70	6	102	6	134	6	166	6
7	7	39	7	71	7	103	7	135	7	167	7
8	8	40	8	72	8	104	8	136	8	168	8
9	9	41	9	73	9	105	9	137	9	169	9
10	10	42	10	74	10	106	10	138	10	170	10
11	11	43	11	75	11	107	11	139	11	171	11
12	12	44	12	76	12	108	12	140	12	172	12
13	13	45	13	77	13	109	13	141	13	173	13
14	14	46	14	78	14	110	14	142	14	174	14
15	15	47	15	79	15	111	15	143	15	175	15
16	16	48	16	80	16	112	16	144	16	176	16
17	17	49	17	81	17	113	17	145	17	177	17
18	18	50	18	82	18	114	18	146	18	178	18
19	19	51	19	83	19	115	19	147	19	179	19
20	20	52	20	84	20	116	20	148	20	180	20
21	21	53	21	85	21	117	21	149	21	181	21
22	22	54	22	86	22	118	22	150	22	182	22
23	23	55	23	87	23	119	23	151	23	183	23
24	24	56	24	88	24	120	24	152	24	184	24
25	25	57	25	89	25	121	25	153	25	185	25
26	26	58	26	90	26	122	26	154	26	186	26
27	27	59	27	91	27	123	27	155	27	187	27
28	28	60	28	92	28	124	28	156	28	188	28
29	29	61	29	93	29	125	29	157	29	189	29
30	30	62	30	94	30	126	30	158	30	190	30
31	31	63	31	95	31	127	31	159	31	191	31
32	32	64	32	96	32	128	32	160	32	192	32

<u>VICON</u>	<u>PANASONIC</u>	<u>VICON</u>	<u>PANASONIC</u>	<u>VICON</u>	<u>PANASONIC</u>	<u>VICON</u>	<u>PANASONIC</u>
193	1	209	17	225	1	241	17
194	2	210	18	226	2	242	18
195	3	211	19	227	3	243	19
196	4	212	20	228	4	244	20
197	5	213	21	229	5	245	21
198	6	214	22	230	6	246	22
199	7	215	23	231	7	247	23
200	8	216	24	232	8	248	24
201	9	217	25	233	9	249	25
202	10	218	26	234	10	250	26
203	11	219	27	235	11	251	27
204	12	220	28	236	12	252	28
205	13	221	29	237	13	253	29
206	14	222	30	238	14	254	30
207	15	223	31	239	15	255	31
208	16	224	32	240	16	256	32

### FRONT PANEL



### REAR PANEL



The preferred method of operation is simplex mode with only the Vicon cmd data line connected.

If the Vicon response line is connected for duplex operation, the code translator will appear as a group of cameras to the controller. To prevent interference between the responses from the code translator and any Vicon cameras in the system, set the switches to exclude any Vicon camera addresses.

Panasonic Cameras should be set to 4 wire mode.



## OPERATION

Vicon Pan, Tilt, Zoom, Focus, and Iris commands are converted to the equivalent Panasonic commands.

Additional commands are converted according to the following table.

<u>VICON COMMAND</u>	<u>PANASONIC COMMAND</u>
[A/I] (Auto Iris)	Reset Iris to Auto
[A/P] (Auto Pan)	Auto Pan ON
[L/S] (Lens Speed)	Auto Focus ON

### Pre-positions

Vicon Run Pre-position commands are converted to Panasonic Preset Call commands.

Vicon Pgm Pre-position commands are converted to Panasonic Preset Store commands.

To program a pre-position, move the camera to the desired position and then send the Vicon Program Pre-position command.

A few pre-position commands are converted into special Panasonic commands.

Run Preset 88	Run Patrol
Pgm Preset 88	Start Recording Patrol
Pgm Preset 89	Stop Recording Patrol
Run Preset 98	Set Auto Pan Start Position
Run Preset 99	Set Auto Pan End Position

Run Preset 93	Exit Panasonic Camera Menu
Run Preset 94	Activate Panasonic Camera Menu

While the menu is active, use the Vicon Aux keys to navigate the menu and select items.

Aux 1	Cursor Down
Aux 2	Cursor Left
Aux 3	Cursor Right
Aux 4	Select / Advance to Sub Menu
Aux 5	Return to Previous Menu
Aux 6	Exit Menu

