

Sennetech

SCT-1051

**CAMERA CONTROL CODE TRANSLATOR
DIAMOND RS-422 to SENSORMATIC RS-422 Ver. 1.0**

www.sennetech.net

Sennetech, Inc. 6455 W. Bath Rd. Perry, MI 48872 U.S.A. Ph (517) 675-1150 Fax (517) 675-1151

PRODUCT DESCRIPTION

The SCT-1051 is a Diamond to Sensormatic control code translator designed to permit control of Sensormatic cameras from Diamond controllers. It receives Diamond RS-422 commands and re-transmits them as Sensormatic RS-422 commands. There are four Sensormatic RS-422 outputs.

Internal switches are used to configure the operation of the code translator.

Input and output connections are made with mating screw terminal connectors. Front panel LEDs indicate status of power, receive, and transmit.

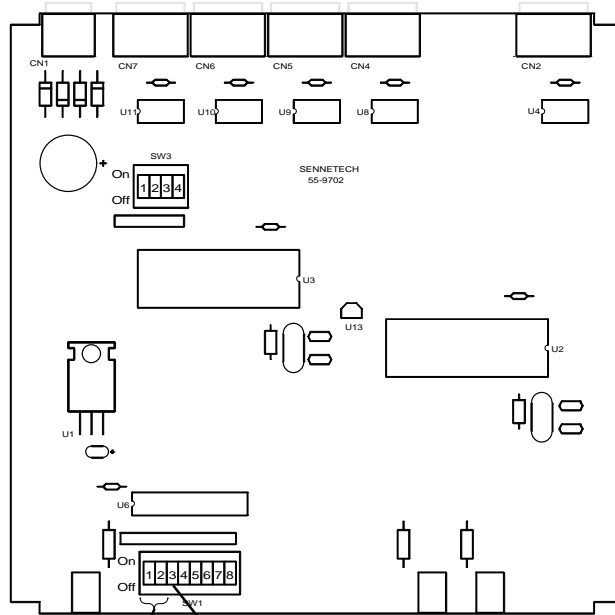
There is an optional 19" rack mount panel (one rack unit high).

SPECIFICATIONS

SIZE:	5.57"W x 1.52H x 5.45D
WEIGHT:	1.5 lbs.
POWER:	9Volt to 15Volt AC or DC at 75ma
INDICATORS:	Front panel LEDs: Power, Rx, & Tx
DIAMOND INPUT:	(1) mating 3-pin screw terminal connector
SENSORMATIC OUTPUTS:	(4) mating 3-pin screw terminal connectors

SETTING THE CONFIGURATION SWITCHES

To set the switches, remove the back panel, which is secured by two screws. Then slide the cover back to expose the switches. The switches can be changed while the code translator is powered up and the new settings will take effect immediately.



SW1-1, SW1-2 ADDRESS GROUP SELECTION		
SW1	SW2	GROUP#
OFF	OFF	GROUP 1
ON	OFF	GROUP 2
OFF	ON	GROUP 3

(This has no effect if SW1-3 is ON for all 255 cameras.)

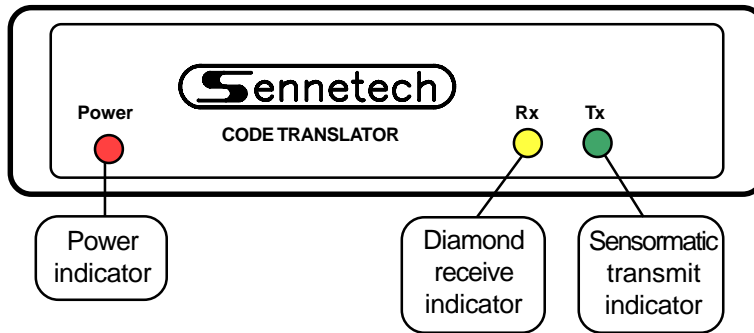
SW1-3 ADDRESS GROUP SIZE	
ON	--- 255
OFF	--- 99

ADDRESS CONVERSION CHART FOR GROUPS OF 99

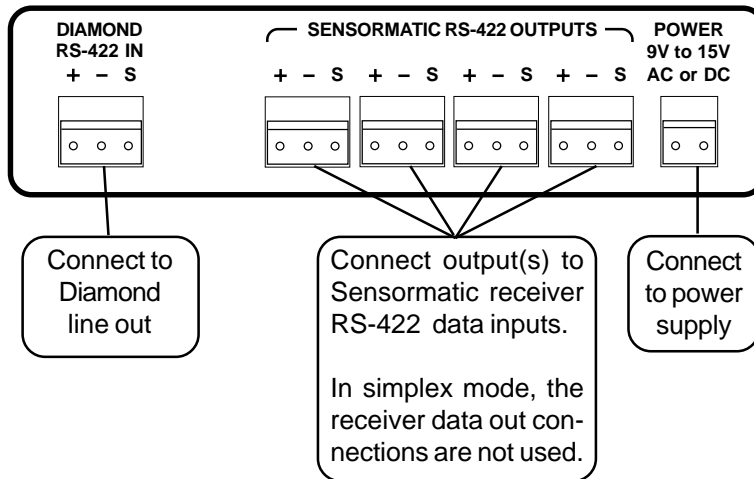
<u>DMND</u>	<u>SENSORMATIC</u>	<u>DMND</u>	<u>SENSORMATIC</u>	<u>DMND</u>	<u>SENSORMATIC</u>	<u>DMND</u>	<u>SENSORMATIC</u>	<u>DMND</u>	<u>SENSORMATIC</u>
1	1	59	59	100	1	158	59	199	1
2	2	60	60	101	2	159	60	200	2
3	3	61	61	102	3	160	61	201	3
4	4	62	62	103	4	161	62	202	4
5	5	63	63	104	5	162	63	203	5
6	6	64	64	105	6	163	64	204	6
7	7	65	65	106	7	164	65	205	7
8	8	66	66	107	8	165	66	206	8
9	9	67	67	108	9	166	67	207	9
10	10	68	68	109	10	167	68	208	10
11	11	69	69	110	11	168	69	209	11
12	12	70	70	111	12	169	70	210	12
13	13	71	71	112	13	170	71	211	13
14	14	72	72	113	14	171	72	212	14
15	15	73	73	114	15	172	73	213	15
16	16	74	74	115	16	173	74	214	16
17	17	75	75	116	17	174	75	215	17
18	18	76	76	117	18	175	76	216	18
19	19	77	77	118	19	176	77	217	19
20	20	78	78	119	20	177	78	218	20
21	21	79	79	120	21	178	79	219	21
22	22	80	80	121	22	179	80	220	22
23	23	81	81	122	23	180	81	221	23
24	24	82	82	123	24	181	82	222	24
25	25	83	83	124	25	182	83	223	25
26	26	84	84	125	26	183	84	224	26
27	27	85	85	126	27	184	85	225	27
28	28	86	86	127	28	185	86	226	28
29	29	87	87	128	29	186	87	227	29
30	30	88	88	129	30	187	88	228	30
31	31	89	89	130	31	188	89	229	31
32	32	90	90	131	32	189	90	230	32
33	33	91	91	132	33	190	91	231	33
34	34	92	92	133	34	191	92	232	34
35	35	93	93	134	35	192	93	233	35
36	36	94	94	135	36	193	94	234	36
37	37	95	95	136	37	194	95	235	37
38	38	96	96	137	38	195	96	236	38
39	39	97	97	138	39	196	97	237	39
40	40	98	98	139	40	197	98	238	40
41	41	99	99	140	41	198	99	239	41
42	42			141	42			240	42
43	43			142	43			241	43
44	44			143	44			242	44
45	45			144	45			243	45
46	46			145	46			244	46
47	47			146	47			245	47
48	48			147	48			246	48
49	49			148	49			247	49
50	50			149	50			248	50
51	51			150	51			249	51
52	52			151	52			250	52
53	53			152	53			251	53
54	54			153	54			252	54
55	55			154	55			253	55
56	56			155	56			254	56
57	57			156	57			255	57
58	58			157	58				

INSTALLATION

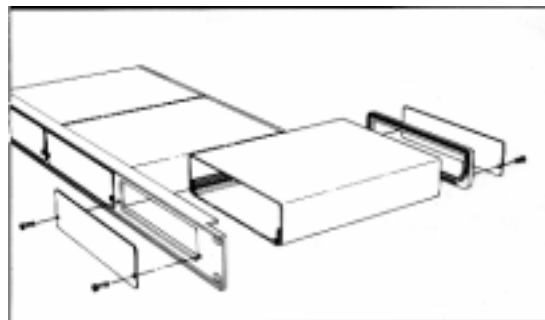
FRONT PANEL



BACK PANEL



To install the case on the rack mount frame, remove the front panel and the plastic bezel. The rack mount frame takes the place of the bezel as shown below.



OPERATION

Pan, Tilt, Zoom, Focus, and Iris commands are converted directly to equivalent Sensormatic commands.

Presets:

<u>Diamond Command</u>	<u>Sensormatic Command</u>
Prgm 1~7	Define Target 1~7
Pshot 1~7	Go to Target 1~7

Patterns:

To record a pattern, position the camera at the starting position, send [Prgm 70~72], and move the camera through the desired pattern. Then send [Prgm 69] to end the recording and accept the new pattern.

Prgm 70	Start Defining Pattern 1
Prgm 71	Start Defining Pattern 2
Prgm 72	Start Defining Pattern 3
Prgm 68	End Recording Without Accepting New Pattern
Prgm 69	End Recording and Accept New Pattern
Pshot 70	Run Pattern 1 One Time
Pshot 71	Run Pattern 2 One Time
Pshot 72	Run Pattern 3 One Time
Run Vscan 1	Auto Repeat Pattern 1
Run Vscan 2	Auto Repeat Pattern 2
Run Vscan 3	Auto Repeat Pattern 3

Auto Focus / Auto Iris:

Pshot 66	Return Dome to Auto Focus/Auto Iris
----------	-------------------------------------

Flip

Pshot 67	Flip Dome 180°
----------	----------------

Dome Configuration Utility

To bring up the on-screen configuration menu, use [Prgm 95].

Pshot 66 or Prgm 90	Start Configuration Utility
---------------------	-----------------------------

While the menu is displayed, the following control functions are in effect:

Pan & Tilt	Move the highlight bar
Focus Far	Select the highlighted item
Zoom In/Out	Incr/Decr value of selected field, display next item, or move cursor
Iris Close	Return to previous menu, or exit

Miscellaneous:

Prgm 65	Reset dome
Prgm 77	Enter V-Phase Adjust Mode (Use Iris commands to adjust phase.)
Pshot 77	Exit V-Phase Adjust Mode

