



SCT-1053

**CAMERA CONTROL CODE TRANSLATOR
COHU RS-422 to PELCO RS-422 Ver. 2.2**

www.sennetech.net

Sennetech, Inc. 6455 W. Bath Rd. Perry, MI 48872 Ph (517) 675-1150 Fax (517) 675-1151

PRODUCT DESCRIPTION

The SCT-1053 is a Cohu to Pelco control code translator designed to permit control of Pelco cameras from Cohu controllers. It receives Cohu RS-422 commands and translates them into Pelco RS-422 commands. There are four independent Pelco outputs.

Internal switches are used to configure the operation of the code translator.

The output can be either Pelco "P" or "D" code at baud rates from 2400 to 19.2k with even or no parity.

For Pelco devices with address limitations of 32, such as the CM9760-CXTA, Cohu addresses can be converted to one of seven groups of 32 Pelco addresses.

Input and output connections are made with mating screw terminal connectors. Front panel LEDs indicate power, receive, transmit, and status.

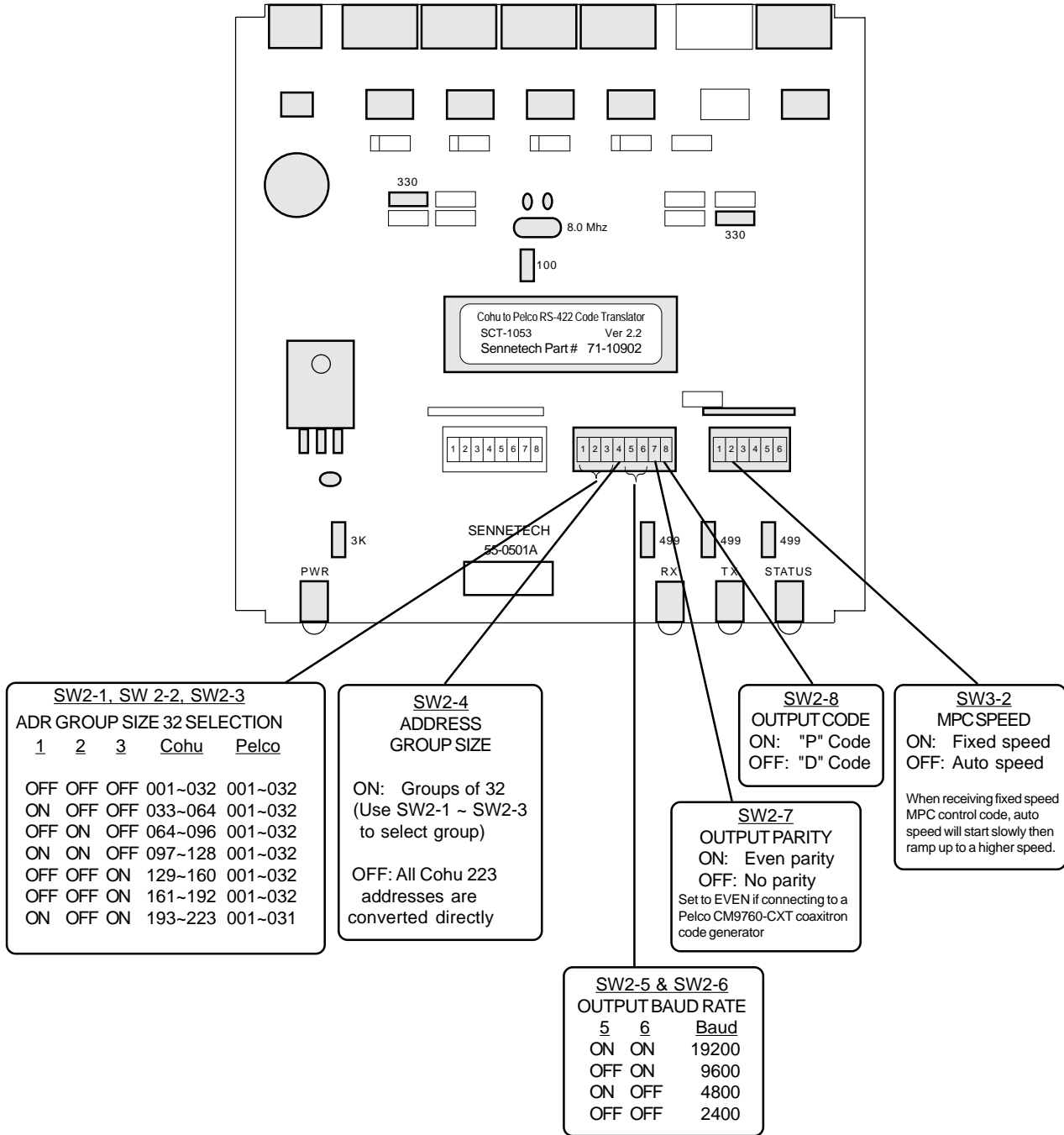
There is an optional 19" rack mount panel (one rack unit high).

SPECIFICATIONS

SIZE:	5.57"W x 1.52H x 5.45D
WEIGHT:	1.5 lbs.
POWER:	9Volt to 15Volt AC or DC at 75ma
INDICATORS:	Front panel LEDs: Power, Rx, Tx, & Status
COHU INPUT:	(1) mating 3-pin screw terminal connector
PELCO OUTPUTS:	(4) mating 3-pin screw terminal connectors

SETTING THE SWITCHES

To set the configuration switches, remove the back panel, which is secured by two screws. Then slide the cover back to expose the switches. The switches can be changed while the code translator is powered up and the new settings will take effect immediately.



Configuration notes

SW2 sets the Pelco code parameters. If these parameters are already established for the system in which the code translator is to be installed, use those settings. If the choice is open and Pelco Spectra domes are to be installed, "D" code is recommended to avoid the 32-address limitation. "D" code is fixed at 2400 baud, so the baud rate and parity switches do not apply.

Camera Address Conversion:

Cohu camera address range is 001 ~ 223. Positions 1~4 of SW2 determine how Cohu camera address numbers are converted to Pelco camera address numbers.

If SW2-4 is OFF, the Cohu addresses are converted directly to Pelco addresses.

If SW2-4 is ON, only the 32 Cohu addresses in the group selected by SW2-1 to SW2-3 will pass through the code translator. They will be converted to Pelco addresses from 1 to 32.

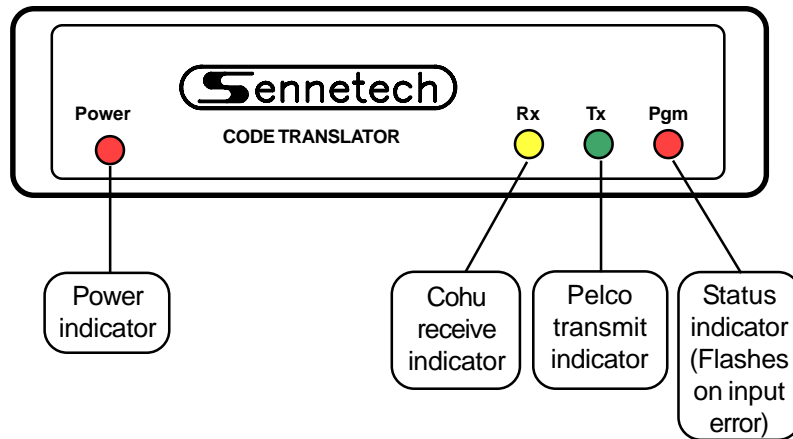
This is useful for Pelco receivers that cannot accept an address higher than 32, such as Spectra Domes using "P" code, or a CM9760-CXTA coaxitron code generator.

CONVERSION CHART FOR ADDRESS GROUP SIZE OF 32 (For Pelco receivers configured for "P" code)

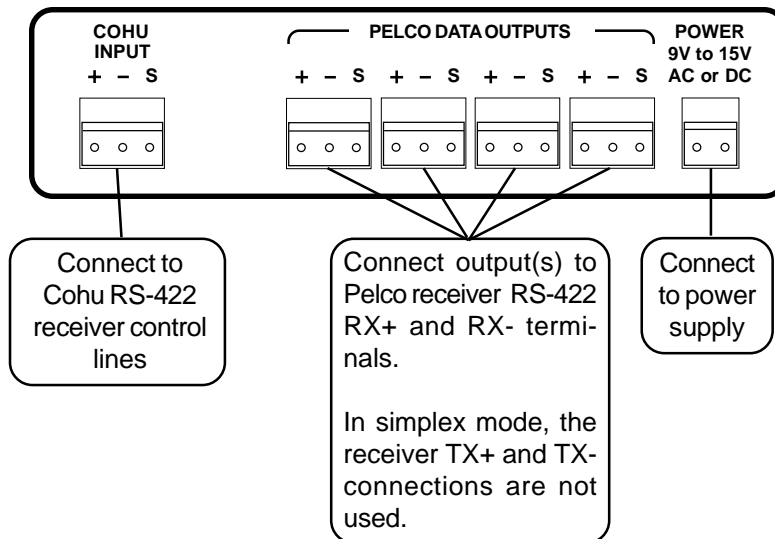
GROUP 1		GROUP 2		GROUP 3		GROUP 4		GROUP 5		GROUP 6		GROUP 7	
IN	OUT	IN	OUT	IN	OUT	IN	OUT	IN	OUT	IN	OUT	IN	OUT
1	1	33	1	65	1	97	1	129	1	161	1	193	1
2	2	34	2	66	2	98	2	130	2	162	2	194	2
3	3	35	3	67	3	99	3	131	3	163	3	195	3
4	4	36	4	68	4	100	4	132	4	164	4	196	4
5	5	37	5	69	5	101	5	133	5	165	5	197	5
6	6	38	6	70	6	102	6	134	6	166	6	198	6
7	7	39	7	71	7	103	7	135	7	167	7	199	7
8	8	40	8	72	8	104	8	136	8	168	8	200	8
9	9	41	9	73	9	105	9	137	9	169	9	201	9
10	10	42	10	74	10	106	10	138	10	170	10	202	10
11	11	43	11	75	11	107	11	139	11	171	11	203	11
12	12	44	12	76	12	108	12	140	12	172	12	204	12
13	13	45	13	77	13	109	13	141	13	173	13	205	13
14	14	46	14	78	14	110	14	142	14	174	14	206	14
15	15	47	15	79	15	111	15	143	15	175	15	207	15
16	16	48	16	80	16	112	16	144	16	176	16	208	16
17	17	49	17	81	17	113	17	145	17	177	17	209	17
18	18	50	18	82	18	114	18	146	18	178	18	210	18
19	19	51	19	83	19	115	19	147	19	179	19	211	19
20	20	52	20	84	20	116	20	148	20	180	20	212	20
21	21	53	21	85	21	117	21	149	21	181	21	213	21
22	22	54	22	86	22	118	22	150	22	182	22	214	22
23	23	55	23	87	23	119	23	151	23	183	23	215	23
24	24	56	24	88	24	120	24	152	24	184	24	216	24
25	25	57	25	89	25	121	25	153	25	185	25	217	25
26	26	58	26	90	26	122	26	154	26	186	26	218	26
27	27	59	27	91	27	123	27	155	27	187	27	219	27
28	28	60	28	92	28	124	28	156	28	188	28	220	28
29	29	61	29	93	29	125	29	157	29	189	29	221	29
30	30	62	30	94	30	126	30	158	30	190	30	222	30
31	31	63	31	95	31	127	31	159	31	191	31	223	31
32	32	64	32	96	32	128	32	160	32	192	32		

INSTALLATION

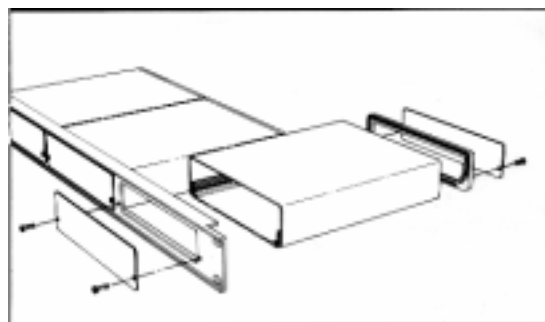
FRONT PANEL



REAR PANEL



To install the case on the rack mount frame, remove the front panel and the plastic bezel. The rack mount frame takes the place of the bezel as shown below.



OPERATION

Cohu Pan, Tilt, Zoom, Focus, and Iris commands are converted directly to the equivalent Pelco commands. Other commands are converted according to the following table.

Presets:

<u>Cohu Command</u>	<u>Pelco Command</u>	<u>Function</u>
When receiving fixed speed MPC code that is limited to 10 presets:		
Goto Preset [1~8]	Goto Preset 1~8	
Goto Preset [9]	Goto Preset 99	Activate Auto Scan
Goto Preset [10]	Run Pattern 1	Run Pattern 1 (Use dome menu to program pattern 1.)
Store Preset [10]	Pgm Preset 95	Activate Dome Program Menu (Use Tilt to move cursor, Iris Open to select items, and Focus Near / Far to increase or decrease values.)

When receiving variable speed Cohu code capable of 64 presets:

Goto Preset [1~49]	Goto Preset 1~49
--------------------	------------------

Pelco uses high preset numbers for special dome commands. The code translator adds 40 to all preset numbers above 49 so that these functions can be accessed.

Store Preset [50]	Pgm Preset 90	Manual Scan Left Limit
Store Preset [51]	Pgm Preset 91	Manual Scan Right Limit
Store Preset [52]	Pgm Preset 92	Auto Scan Left Limit
Store Preset [53]	Pgm Preset 93	Auto Scan Right Limit
Store Preset [55]	Pgm Preset 95	Activate Dome Program Menu
Goto Preset [57]	Goto Preset 97	Activate Random Scan
Goto Preset [58]	Goto Preset 98	Activate Frame Scan
Goto Preset [59]	Goto Preset 99	Activate Auto Scan
Goto Preset [60]	Run Pattern 1	Run Pattern 1
Toggle Camera Power	Toggle Aux1 On/Off	Wiper Command for Esprit

