

Sennetech

SCT-1055

**CAMERA CONTROL CODE TRANSLATOR
VCL RS-485 to AD MANCHESTER Ver. 1.0**

www.sennetech.net

Sennetech, Inc. 6455 W. Bath Rd. Perry, MI 48872 U.S.A. Ph (517) 675-1150 Fax (517) 675-1151

PRODUCT DESCRIPTION

The SCT-1055 is a VCL to American Dynamics control code translator designed to permit control of AD cameras from VCL controllers. It receives VCL RS-485 commands at 9600 baud and transmits the appropriate commands in AD manchester format. Camera addresses up to 64 are converted. There are four independent AD outputs.

The code translator can be configured to convert addresses 1~64 or 65~128.

The manchester output can be limited to fixed speed commands for compatibility with older AD receivers.

Input and output connections are made with mating screw terminal connectors. Front panel LEDs indicate status of power, receive, and transmit.

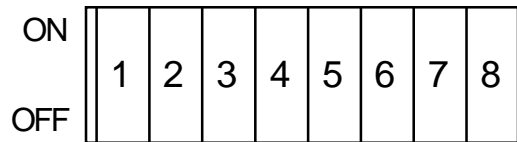
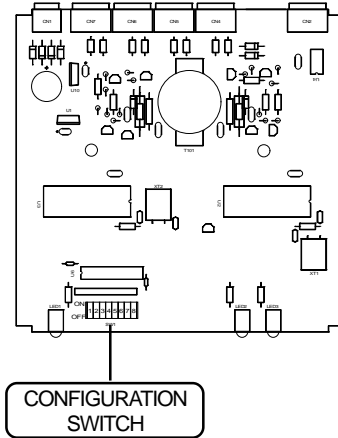
There is an optional 19" rack mount panel (one rack unit high).

SPECIFICATIONS

SIZE:	5.57"W x 1.52H x 5.45D
WEIGHT:	1.5 lbs.
POWER:	12Volt to 15Volt AC or DC at 75ma
INDICATORS:	Front panel LEDs: Power, Rx, & Tx
VCL RS-485 INPUT:	(1) mating 3-pin screw terminal connector
AD MANCHESTER OUTPUT:	4) mating 3-pin screw terminal connectors

SETTING THE SWITCHES

To set the configuration switches, remove the back panel, which is secured by two screws. Then slide the cover back to expose the switches. The switches can be changed while the code translator is powered up and the new settings will take effect immediately.



SW1-1
ADDRESS BLOCK
 ON: 65~128
 OFF: 1~64

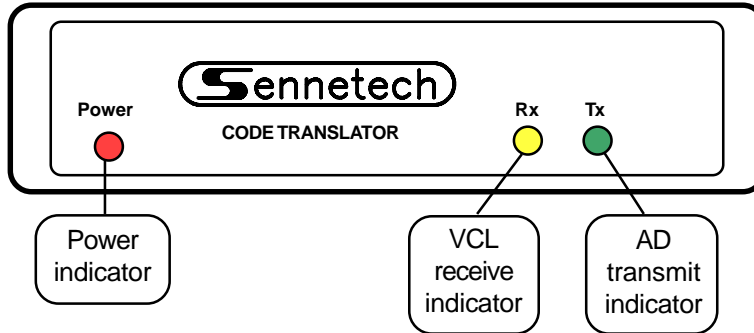
AD manchester code has a maximum address of 64. If SW1-1 is ON, VCL address 65 is converted to AD address 1, VCL 66 is converted to AD 2, etc.

SW1-8
AD CODE TYPE
 ON: Fixed speed
 OFF: Variable speed

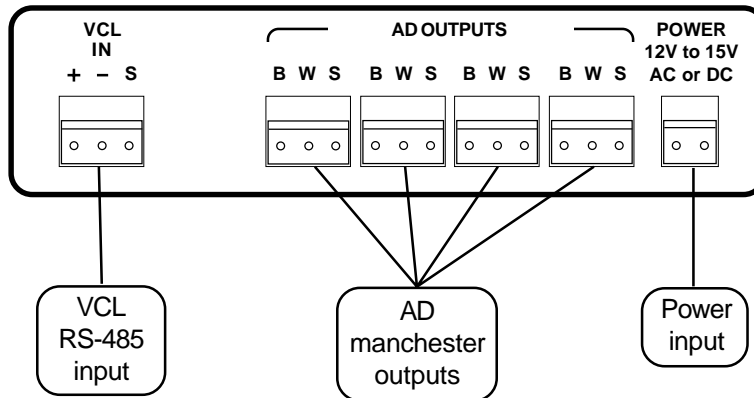
Set to OFF for variable speed receivers
 Set to ON if fixed speed receivers respond incorrectly to pan or tilt commands

INSTALLATION

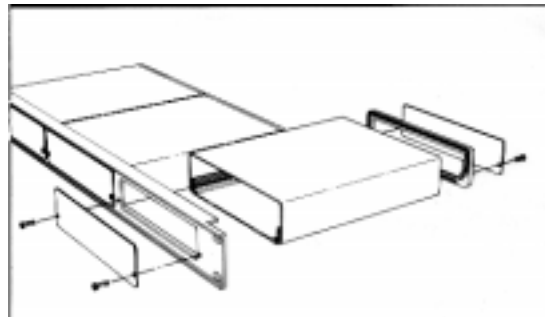
FRONT PANEL



REAR PANEL



To install the case on the rack mount frame, remove the front panel and the plastic bezel. The rack mount frame takes the place of the bezel as shown below.



OPERATION

The VCL Pan, Tilt, Zoom, Focus and Iris commands are converted to the equivalent American Dynamics commands. Additional commands are converted according to the following table.

<u>VCL COMMAND</u>	<u>AD COMMAND</u>
Wash ON	Aux 1 ON
Wipe ON	Aux 2 ON
Aux ON	Aux 3 ON
Wash OFF	Aux 1 OFF
Wipe OFF	Aux2 OFF
Aux OFF	Aux 3 OFF
Seek Preset 1~72	Call Shot 1~72
Define Preset 1~72	Set Shot 1~72

If configuration Switch 8 is ON for fixed speed AD code, only presets 1~8 are converted.

