



SCT-1063

**CAMERA CONTROL CODE TRANSLATOR
SENSORMATIC RS-422 to VICON RS-422 Ver. 1.1**

www.sennetech.net

Sennetech, Inc. 6455 W. Bath Rd. Perry, MI 48872 U.S.A. Ph (517) 675-1150 Fax (517) 675-1151

PRODUCT DESCRIPTION

The SCT-1063 is a Sensormatic to Vicon control code translator designed to permit control of Vicon cameras from Sensormatic RS-422 controllers. It receives Sensormatic RS-422 commands and converts them to the appropriate Vicon commands. There are four independent Vicon outputs.

The code translator will appear to the Sensormatic controller as a group of responding domes. Internal switches set the low camera number and the high camera number to which the translator will respond.

Input and output connections are made with mating screw terminal connectors. Front panel LEDs indicate status of power, receive, and transmit.

There is an optional 19" rack mount panel (one rack unit high).

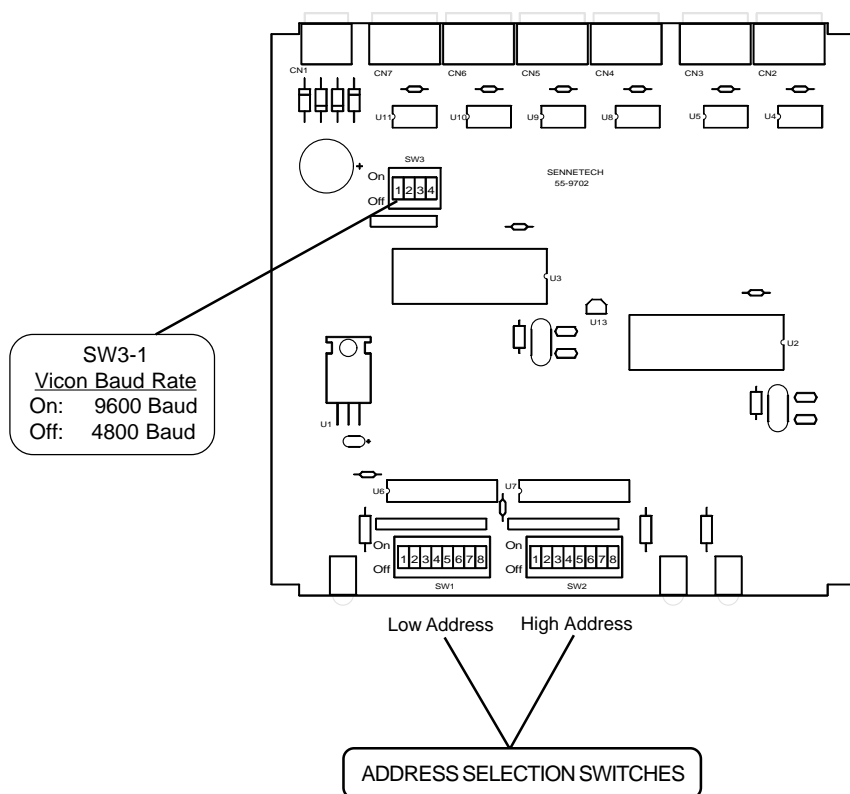
Version 1.1 converts presets up to 63 for Sensormatic systems that support simplex operation.

SPECIFICATIONS

SIZE:	5.57"W x 1.52H x 5.45D
WEIGHT:	1.5 lbs.
POWER:	9Volt to 15Volt AC or DC at 75ma
INDICATORS:	Front panel LEDs: Power, Rx, & Tx
SENSORMATIC DATA IN:	(1) mating 3-pin screw terminal connector
SENSORMATIC RESPONSE OUT:	(1) mating 3-pin screw terminal connector
VICON OUTPUTS:	(4) mating 3-pin screw terminal connectors

SETTING THE SWITCHES

To set the configuration switches, remove the back panel, which is secured by two screws. Then slide the cover back to expose the switches. The switches can be changed while the code translator is powered up and the new settings will take effect immediately.



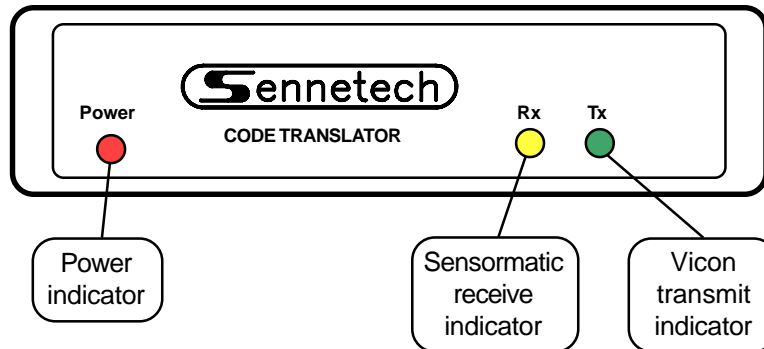
The address switches have the following values, read from left to right.

1	2	4	8	16	32	64	128
---	---	---	---	----	----	----	-----

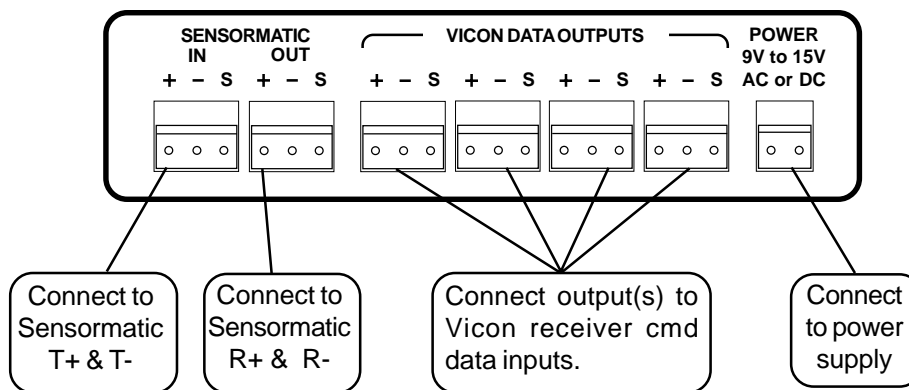
The camera numbers are entered by setting to ON the switches whose values total up to the desired number. For example, to enter the number 141, you would set to ON the switches that have values $128 + 8 + 4 + 1 = 141$. The Camera Address Switch Setting Chart shows the settings for numbers 1 to 256.

INSTALLATION

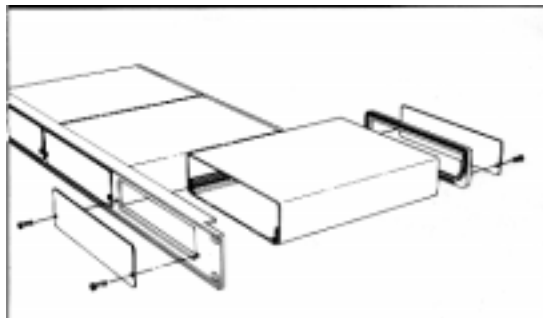
FRONT PANEL



REAR PANEL



To install the case on the rack mount frame, remove the front panel and the plastic bezel. The rack mount frame takes the place of the bezel as shown below.



OPERATION

Sensormatic Pan, Tilt, Zoom, Focus, and Iris commands are converted to the equivalent Vicon commands.

Note: For Sensormatic systems that support simplex operation, such as an AD2083-02C Megapower 48, presets up to 63 are converted.

Using a Touch Tracker Keyboard

Other commands are converted according to the following table using a Touch Tracker keyboard.

<u>SENSORMATIC COMMAND</u>	<u>VICON COMMAND</u>
Define Quickview 1	Program Preset 1
Define Quickview 2	Program Preset 2
Define Quickview 3	Program Preset 3
Define Quickview 4	Program Preset 4
Quickview 1	Run Preset 1
Quickview 2	Run Preset 2
Quickview 3	Run Preset 3
Quickview 4	Run Preset 4
Flip	Alarm Acknowledge
Run Pattern 1	A/P
Run Pattern 2	L/S
Peel	A/P

Sensormatic uses multiple-key commands for special functions:

Iris Close + Iris Open	A/I
Iris Open + Focus Near or Far + Zoom Out	Dome Programming Menu (While the menu is active, use A/P to select items and A/I to exit.)
Faster + Zoom Out + Focus Near + Iris Open	Reset Dome

Using an AD 2078 or AD 2079 Keyboard in a MegaPower System

With an AD 2083-02B code converter, there will be no direct preset commands available.

<u>AD COMMAND</u>	<u>VICON COMMAND</u>
66 Call Shot	A/I
67 Call Shot	Alarm Acknowledge
70 Call Shot	A/P
71 Call Shot	L/S
65 Set Shot	Pgm Preset 95 - Dome reset
66 Set Shot	Pgm Preset 94 - Dome menu

