



SCT-1068

**CAMERA CONTROL CODE TRANSLATOR
SENSORMATIC RS-422 to STAR MICRONICS RS-485
Ver. 1.0**

www.sennetech.net

Sennetech, Inc. 6455 W. Bath Rd. Perry, MI 48872 U.S.A. Ph (517) 675-1150 Fax (517) 675-1151

PRODUCT DESCRIPTION

The SCT-1068 is a Sensormatic RS-422 to Star Micronics RS-485 control code translator designed to permit control of Star cameras from Sensormatic controllers. It receives Sensormatic RS-422 commands at 4800 baud and transmits the appropriate commands in Star RS-485 code format at 9600 baud. There are four independent Star data outputs.

The code translator will appear to the Sensormatic controller as a group of responding receiver/drivers. Internal switches set the low camera number and the high camera number to which the translator will respond. The address conversion is modulo 32, so the Star addresses start over at each block of 32. For this reason, the Sensormatic address switches should not include more than 32 cameras.

Input and output connections are made with mating screw terminal connectors. Front panel LEDs indicate status of power, receive, and transmit.

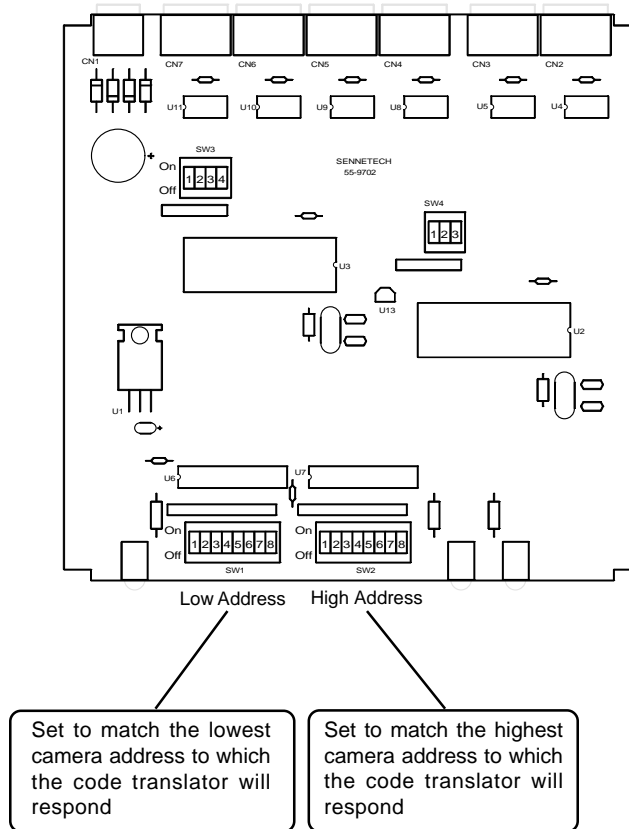
There is an optional 19" rack mount panel (one rack unit high).

SPECIFICATIONS

SIZE:	5.57"W x 1.52H x 5.45D
WEIGHT:	1.5 lbs.
POWER:	9Volt to 15Volt AC or DC at 75ma
INDICATORS:	Front panel LEDs: Power, Rx, & Tx
SENSORMATIC INPUT:	(1) mating 3-pin screw terminal connector
SENSORMATIC RESPONSE:	(1) mating 3-pin screw terminal connector
STAR DATA OUTPUTS:	(4) mating 3-pin screw terminal connectors

SETTING THE SWITCHES

To set the configuration switches, remove the back panel, which is secured by two screws. Then slide the cover back to expose the switches. The switches can be changed while the code translator is powered up and the new settings will take effect immediately.



With the response line connected, the code translator will appear as a group of cameras to the controller. To prevent interference between the responses from the code translator and any Sensormatic cameras in the system, set the switches to exclude any Sensormatic camera addresses.

Most Sensormatic control systems require the response line to be connected for proper operation. The AD2083-02 control system will not work at all without responses.

The Star Micronics usable address range is 01 to 31. The code translator will roll the addresses over in blocks of 32, so a Sensormatic command to address 1, 33, 65, etc will be converted to Star address 1. The address window should be limited to no more than 32.

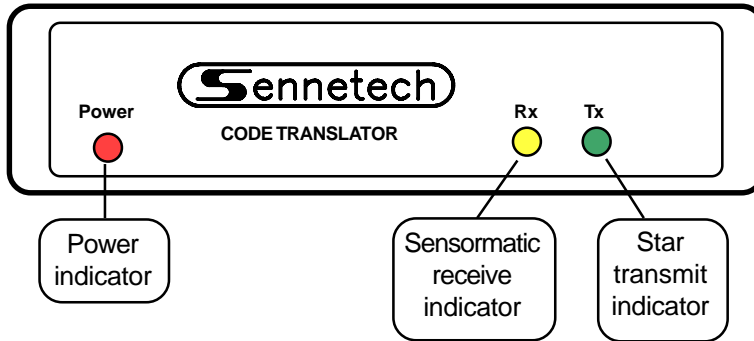
The address conversion chart and the switch setting chart can be used to help determine the switch settings.

ADDRESS CONVERSION CHART

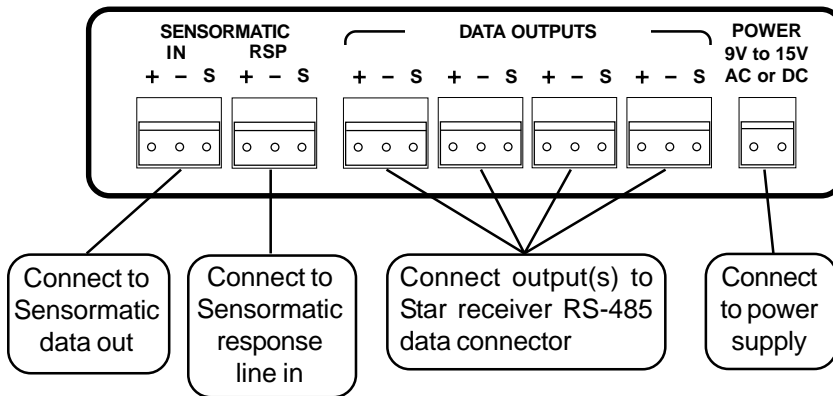
<u>SENS</u>	<u>STAR</u>	<u>SENS</u>	<u>STAR</u>	<u>SENS</u>	<u>STAR</u>	<u>SENS</u>	<u>STAR</u>	<u>SENS</u>	<u>STAR</u>	<u>SENS</u>	<u>STAR</u>	<u>SENS</u>	<u>STAR</u>	<u>SENS</u>	<u>STAR</u>
1	1	33	1	65	1	97	1	129	1	161	1	193	1	225	1
2	2	34	2	66	2	98	2	130	2	162	2	194	2	226	2
3	3	35	3	67	3	99	3	131	3	163	3	195	3	227	3
4	4	36	4	68	4	100	4	132	4	164	4	196	4	228	4
5	5	37	5	69	5	101	5	133	5	165	5	197	5	229	5
6	6	38	6	70	6	102	6	134	6	166	6	198	6	230	6
7	7	39	7	71	7	103	7	135	7	167	7	199	7	231	7
8	8	40	8	72	8	104	8	136	8	168	8	200	8	232	8
9	9	41	9	73	9	105	9	137	9	169	9	201	9	233	9
10	10	42	10	74	10	106	10	138	10	170	10	202	10	234	10
11	11	43	11	75	11	107	11	139	11	171	11	203	11	235	11
12	12	44	12	76	12	108	12	140	12	172	12	204	12	236	12
13	13	45	13	77	13	109	13	141	13	173	13	205	13	237	13
14	14	46	14	78	14	110	14	142	14	174	14	206	14	238	14
15	15	47	15	79	15	111	15	143	15	175	15	207	15	239	15
16	16	48	16	80	16	112	16	144	16	176	16	208	16	240	16
17	17	49	17	81	17	113	17	145	17	177	17	209	17	241	17
18	18	50	18	82	18	114	18	146	18	178	18	210	18	242	18
19	19	51	19	83	19	115	19	147	19	179	19	211	19	243	19
20	20	52	20	84	20	116	20	148	20	180	20	212	20	244	20
21	21	53	21	85	21	117	21	149	21	181	21	213	21	245	21
22	22	54	22	86	22	118	22	150	22	182	22	214	22	246	22
23	23	55	23	87	23	119	23	151	23	183	23	215	23	247	23
24	24	56	24	88	24	120	24	152	24	184	24	216	24	248	24
25	25	57	25	89	25	121	25	153	25	185	25	217	25	249	25
26	26	58	26	90	26	122	26	154	26	186	26	218	26	250	26
27	27	59	27	91	27	123	27	155	27	187	27	219	27	251	27
28	28	60	28	92	28	124	28	156	28	188	28	220	28	252	28
29	29	61	29	93	29	125	29	157	29	189	29	221	29	253	29
30	30	62	30	94	30	126	30	158	30	190	30	222	30	254	30
31	31	63	31	95	31	127	31	159	31	191	31	223	31	255	31
32	xx	64	xx	96	xx	128	xx	160	xx	192	xx	224	xx	256	xx

Note: The normal Star address range is 01 ~ 31.
 Sensormatic Address 32 would convert to Star address 00, which is a reserved Star address.

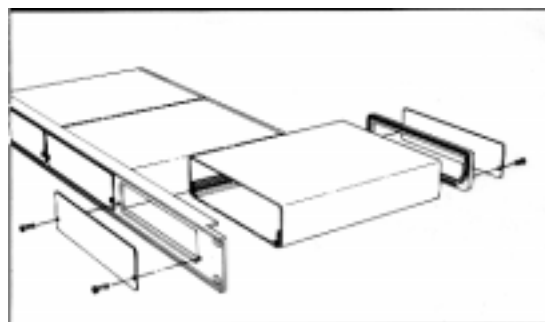
FRONT PANEL



REAR PANEL



To install the case on the rack mount frame, remove the front panel and the plastic bezel. The rack mount frame takes the place of the bezel as shown below.



OPERATION

Sensormatic Pan, Tilt, Zoom, Focus, and Iris commands are converted to the equivalent Star Micronics commands.

Additional commands are converted according to the following table.

<u>SENSORMATIC COMMAND</u>	<u>STAR COMMAND</u>
Run Preset 1~7 Pgm Preset 1~7	Goto Preset 1~7 Set Preset 1~7
Run Pattern 1 (The dome will swing between the pan position of Preset 1 and the pan position of Preset 2.)	Run Pan Swing Between Preset 1 & Preset 2
Iris Close + Iris Open	Oneshot Auto Focus (Hold until focusing is done)

