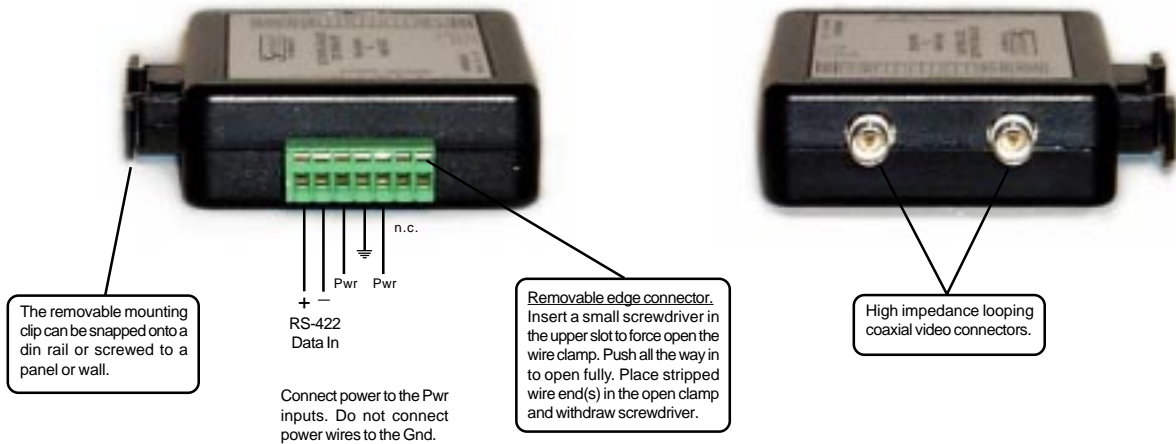
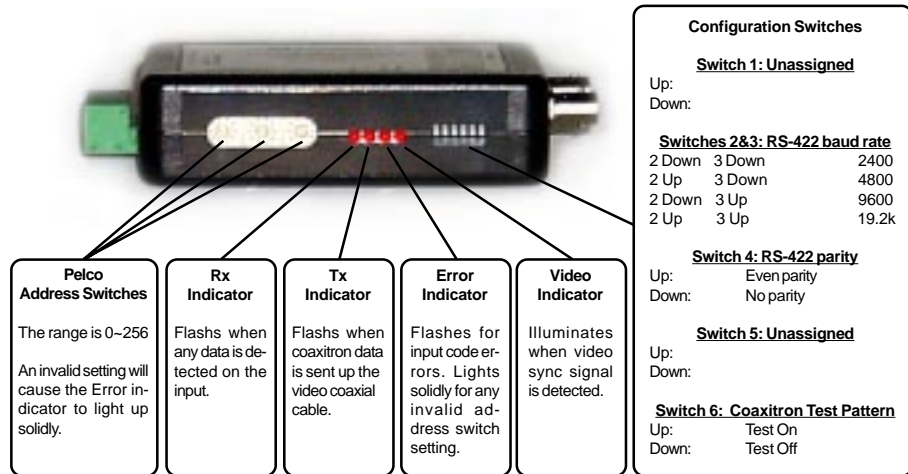


SCT-CTX-Pelco-Pelco

Pelco RS-422 to Pelco Coaxitron Code Translator

The Code Translator receives Pelco RS-422 camera control code and converts it into coaxitron control code for a single Pelco camera.



SPECIFICATIONS

Size: 4.5" x 3.5" x 1.25"
 Weight: 0.5 lb
 Power: 9Volt to 15Volt AC or DC at 75ma
 Environmental: Indoor use only

Sennetech, Inc. 6455 W. Bath Rd. Perry, MI 48872 U.S.A. Ph (517) 675 1150 Fax (517) 675 1151

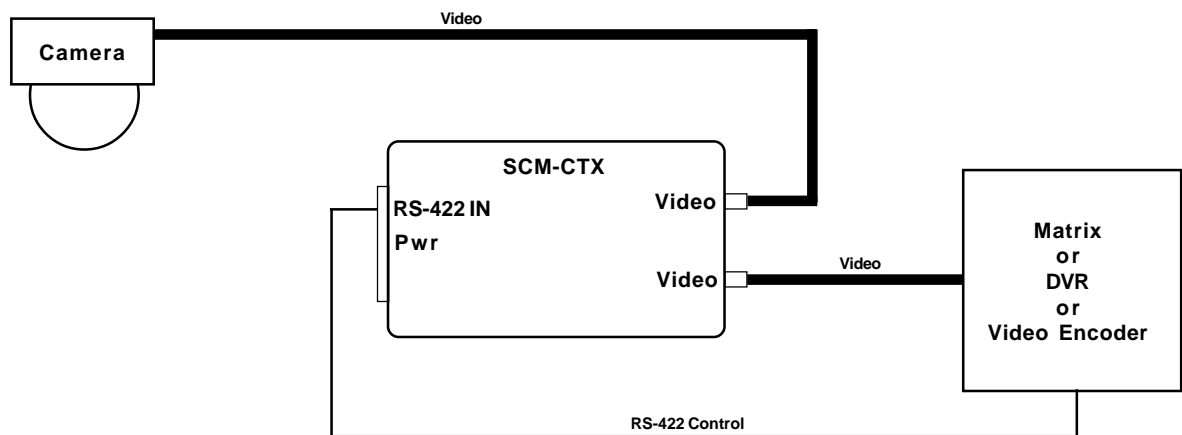
www.sennetech.net

INSTALLATION

Insert the code translator in the video coaxial cable between the camera and the matrix. The video inputs are a high impedance loop so either can be in or out.

Connect the RS-422 control wires to the code translator's RS-422 in connectors. The baud rate and parity must be set to match the controller's settings. The code translator will automatically detect whether it is getting P code or D code. The switches can be changed with power applied and the changes take effect immediately.

Set address selector switches to the same number the controller is sending for this camera.



NORMAL OPERATION

The video indicator will light when there is video present from the camera on the coaxial cable.

The Rx indicator will light when there is any data on the RS-422 input. If it is recognized as valid data and the received address matches the switch settings, coaxitron data will be sent up the video cable to the camera and the Tx indicator will light.

TROUBLESHOOTING

No Video indicator: proper termination of the video cable is important for reliable coaxitron operation. The cable should be terminated with a single 75W resistor.

Only Rx indicator flashes when data is sent, no Error or Tx indicator: wrong address.

Both Rx and Error indicators flash, possible causes:

- Controller sending other than Pelco RS-422 camera control data.

- Controller sending valid Pelco data but the baud rate parity settings do not match.

- Incorrect wiring. Connect controller's Tx+ and Tx- to RS-422 input + and - respectively.

Error indicator on solidly:

- Invalid address selected, must be in the range of 001 ~ 256.