

Sennetech

SCT-1014

**CAMERA CONTROL CODE TRANSLATOR
AD MANCHESTER to VICON RS-422 Ver. 1.7**

www.sennetech.net

Sennetech, Inc. 6455 W. Bath Rd. Perry, MI 48872 U.S.A. Ph (517) 675-1150 Fax (517) 675-1151

PRODUCT DESCRIPTION

The SCT-1014 is an American Dynamics to Vicon control code translator designed to permit control of Vicon VPS series cameras from AD controllers. It receives AD manchester commands and transmits the appropriate commands in Vicon RS-422 format. There are four independent Vicon outputs.

The SCT-1014 can be configured by setting the internal switches to work with either fixed speed or variable speed AD controllers. The Vicon RS-422 output can be set to 4800 or 9600 baud.

The 64 AD camera addresses can be converted to one of four address blocks so that addresses up to 255 in Vicon receivers can match the camera number in the controller.

Input and output connections are made with mating screw terminal connectors. Front panel LEDs indicate status of power, receive, and transmit.

An optional 19" rack mount panel (one rack unit high) is available.

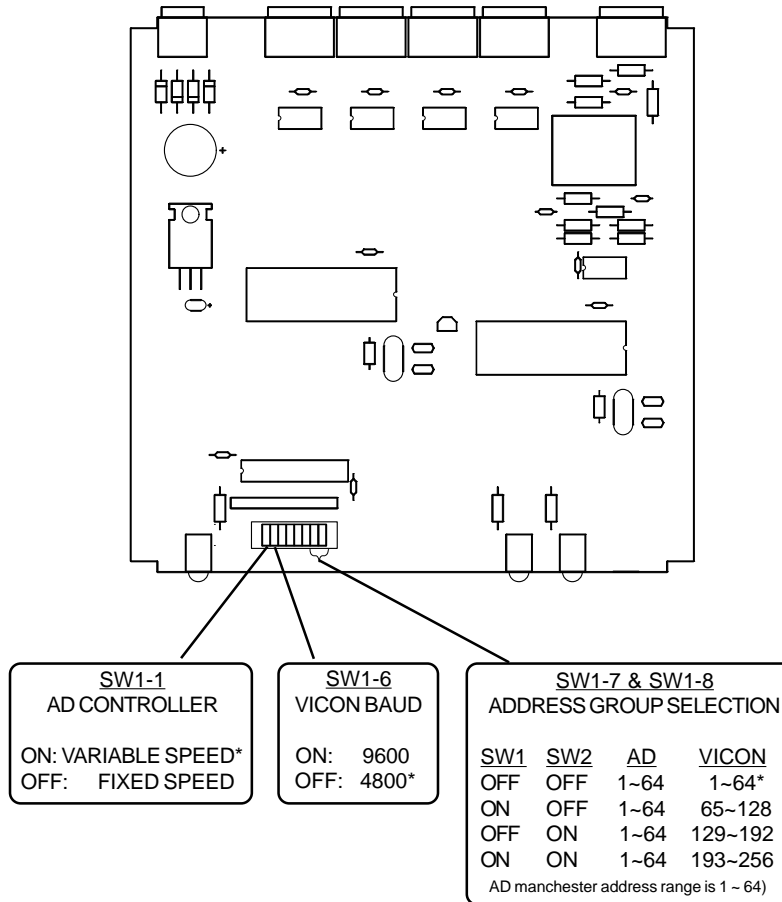
Version 1.7 improves camera menu operation and removes obsolete configuration switches.

SPECIFICATIONS

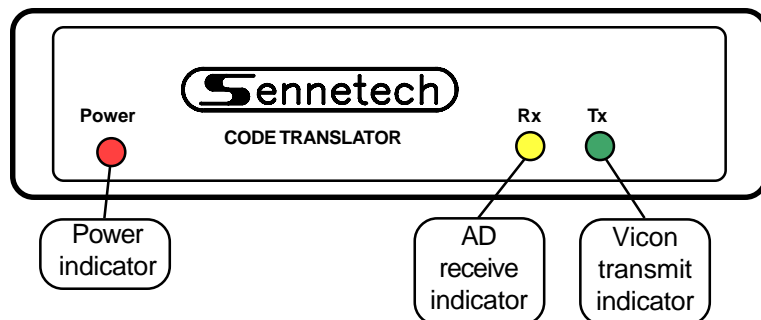
SIZE:	5.57"W x 1.52H x 5.45D
WEIGHT:	1.5 lbs.
POWER:	9Volt to 15Volt AC or DC at 75ma
INDICATORS:	Front panel LEDs: Power, Rx, & Tx
AD MANCHESTER INPUT:	(1) mating 3-pin screw terminal connector
VICON RS-422 OUTPUT:	(4) mating 3-pin screw terminal connectors

SETTING THE SWITCHES

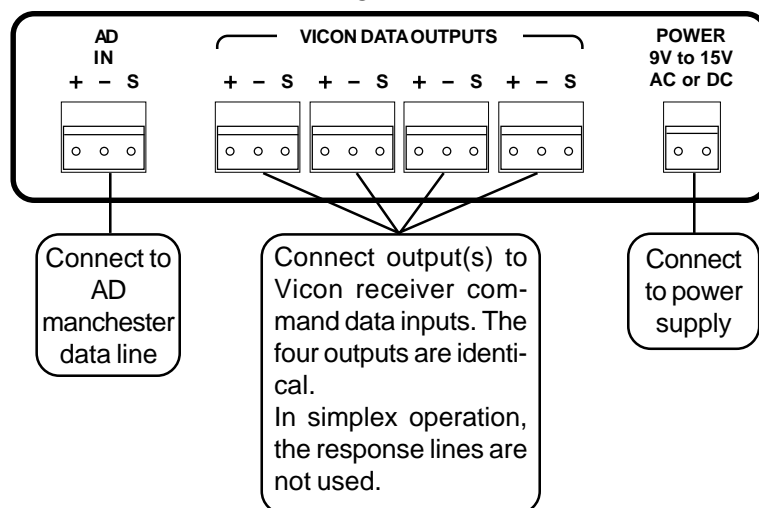
To set the configuration switches, remove the back panel, which is secured by two screws. Then slide the cover back to expose the switches. The switches can be changed while the code translator is powered up and the new settings will take effect immediately.



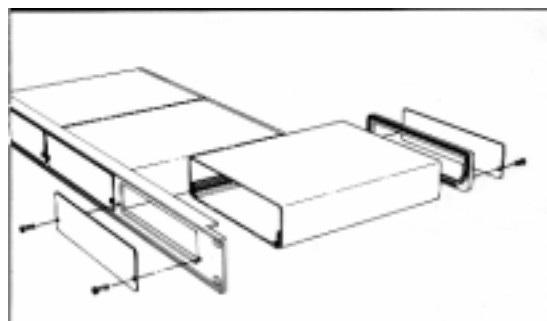
FRONT PANEL



BACK PANEL



To install the case on the rack mount frame, remove the front panel and the plastic bezel. The rack mount frame takes the place of the bezel as shown below.



OPERATION

The AD camera control commands will be converted to Vicon commands according to the following table.

<u>AD COMMAND</u>	<u>VICON COMMAND</u>
PAN LEFT/RIGHT	PAN LEFT/RIGHT
TILT UP/DOWN	TILT UP/DOWN
ZOOM OUT/IN	ZOOM OUT/IN
FOCUS FAR/NEAR	FOCUS FAR/NEAR
IRIS CLOSE/OPEN	IRIS CLOSE/OPEN
[1] [ON]	AUX 1
[2] [ON]	AUX 2
[3] [ON]	L-SPD
[1] [OFF]	A/P
[2] [OFF]	A/I
[3] [OFF]	ALARMACKNOWLEDGE
[1] [SHOT] to [49] [SHOT]	RUN PRESET 1 to 49
[1] [SET] to [49] [SET]	PGM PRESET 1 to 49

NOTE: [Shot] and [Set] commands 50 and up are converted to Vicon pre-positions 80 and up for programming the variable speed models of the Surveyor™ Mini Dome System. Add 30 to calculate the pre-position number that the convertor will send.

[50] [SHOT] to [69] [SHOT]	RUN PRESET 80 to 99
[50] [SET] to [69] [SET]	PGM PRESET 80 to 99

Vicon uses program preset 94 to activate the camera on-screen menu.
 Send program preset 64 from the AD controller to send program preset 94 to the camera.
 While the menu is active, use tilt to navigate. Send Aux1 OFF (A/P) to select the highlighted item and Aux 2 OFF (A/I) to go back to previous menu and exit.
 Sending Aux3 ON (L/S) will toggle the camera video off and on to make the menu easier to read.

