

Sennetech

SCT-1028

**CAMERA CONTROL CODE TRANSLATOR
VICON RS-422 to KALATEL RS-422 Ver. 2.6**

www.sennetech.net

Sennetech, Inc. 6455 W. Bath Rd. Perry, MI 48872 U.S.A. Ph (517) 675-1150 Fax (517) 675-1151

PRODUCT DESCRIPTION

The SCT-1028 is a Vicon to Kalatel control code translator designed to permit control of Kalatel cameras from Vicon VPS series controllers. It receives Vicon RS-422 commands and transmits the appropriate commands in Kalatel RS-422 code format. There are four independent Kalatel outputs.

The SCT-1028 will appear to the Vicon controller as a group of responding receiver/drivers. Internal switches set the low camera number and the high camera number to which the translator will respond.

The Kalatel output can be set for compatibility with either Digiplex II or Digiplex III at low or high baud rates.

Input and output connections are made with mating screw terminal connectors. Front panel LEDs indicate status of power, receive, and transmit.

There is an optional 19" rack mount panel (one rack unit high).

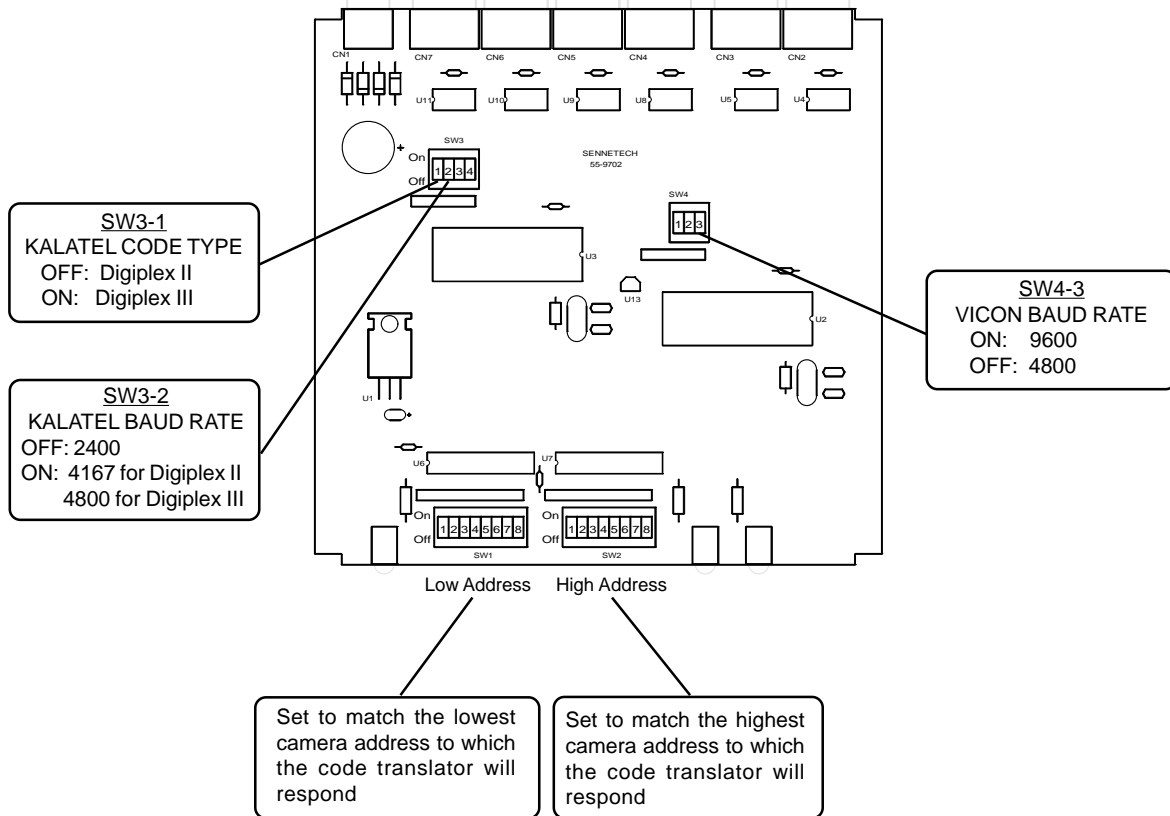
Version 2.6 adds Kalatel Run Tour commands.

SPECIFICATIONS

SIZE:	5.57"W x 1.52H x 5.45D
WEIGHT:	1.5 lbs.
POWER:	12Volt to 15Volt AC or DC at 75ma
INDICATORS:	Front panel LEDs: Power, Rx, & Tx
VICON DATA IN:	(1) mating 3-pin screw terminal connector
VICON RESPONSE OUT:	(1) mating 3-pin screw terminal connector
KALATEL OUTPUTS:	(4) mating 3-pin screw terminal connectors

SETTING THE SWITCHES

To set the configuration switches, remove the back panel, which is secured by two screws. Then slide the cover back to expose the switches. The switches can be changed while the code translator is powered up and the new settings will take effect immediately.

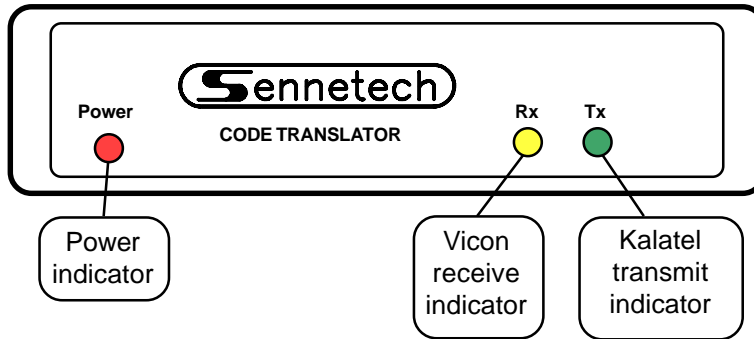


The preferred system configuration is simplex mode with the response line not connected.

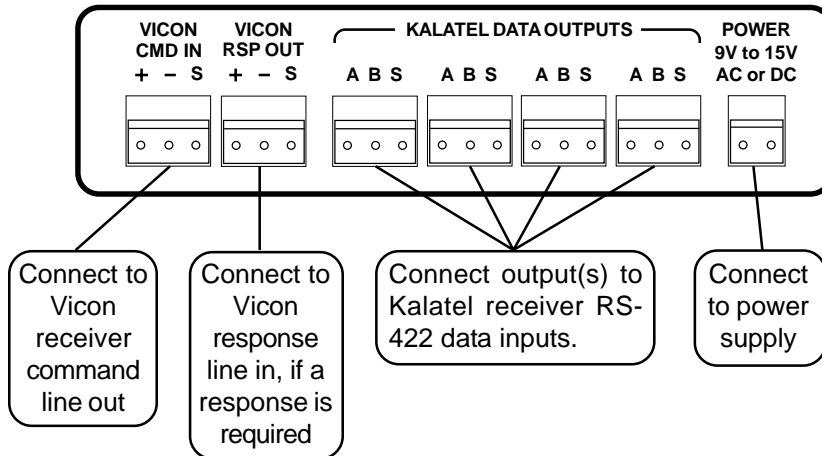
If the Vicon system requires the response line for correct operation, the code translator will appear as a group of cameras to the controller. To prevent interference between the responses from the code translator and any Vicon cameras in the system, set the switches to include only the Kalatel camera addresses.

The chart on the following page shows the switch configuration for each address.

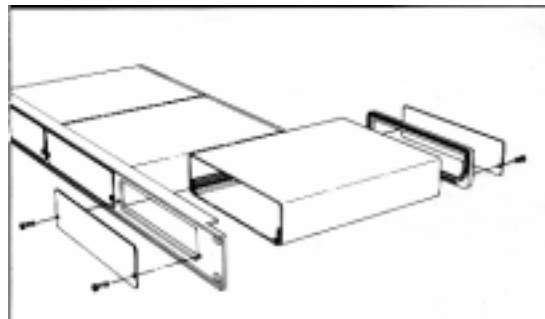
FRONT PANEL



REAR PANEL



To install the case on the rack mount frame, remove the front panel and the plastic bezel. The rack mount frame takes the place of the bezel as shown below.



OPERATION

Vicon Pan, Tilt, Zoom, Focus, and Iris commands are converted to the equivalent Kalatel commands.

If the code translator is configured for a fixed speed Vicon controller, the Pan and Tilt commands will be converted to medium Kalatel pan and tilt speeds. Pressing the Vicon [Lens Speed] key while panning or tilting will change the command to a high speed.

Vicon Program and Run commands for pre-positions 1 to 64 are converted to Kalatel pre-positions.

Other commands are converted according to the following table:

<u>VICON COMMAND</u>	<u>KALATEL COMMAND</u>
A/P	Auto-pan
Run Preset 80	Auto-focus
Run Preset 88	Run Tour 1
Run Preset 89	Run Tour 2
Aux-1	Rcvr Off (<i>Left Arrow on Video Sentry controllers</i>)
Aux-2	Rcvr On (<i>Right Arrow on Video Sentry controllers</i>)

