

Sennetech

SCT-1031

**CAMERA CONTROL CODE TRANSLATOR
KALATEL RS-422 to AD MANCHESTER Ver. 2.1**

www.sennetech.net

Sennetech, Inc. 6455 W. Bath Rd. Perry, MI 48872 U.S.A. Ph (517) 675-1150 Fax (517) 675-1151

PRODUCT DESCRIPTION

The SCT-1031 is a Kalatel to American Dynamics control code translator designed to permit control of AD cameras from Kalatel controllers. It receives Kalatel RS-422 commands and re-transmits them in AD manchester format. There are four independent manchester outputs.

The code translator will accept Kalatel Digiplex II and Digiplex III control code. The type of code and baud rate are detected automatically.

The manchester output can be limited to fixed speed code for older AD receivers.

The addresses can be offset by 1 to compensate for control systems sending offset addresses. Kalatel addresses can be converted to AD addresses in four groups of 64.

Input and output connections are made with mating screw terminal connectors. Front panel LEDs indicate status of power, receive, and transmit.

There is an optional 19" rack mount panel (one rack unit high).

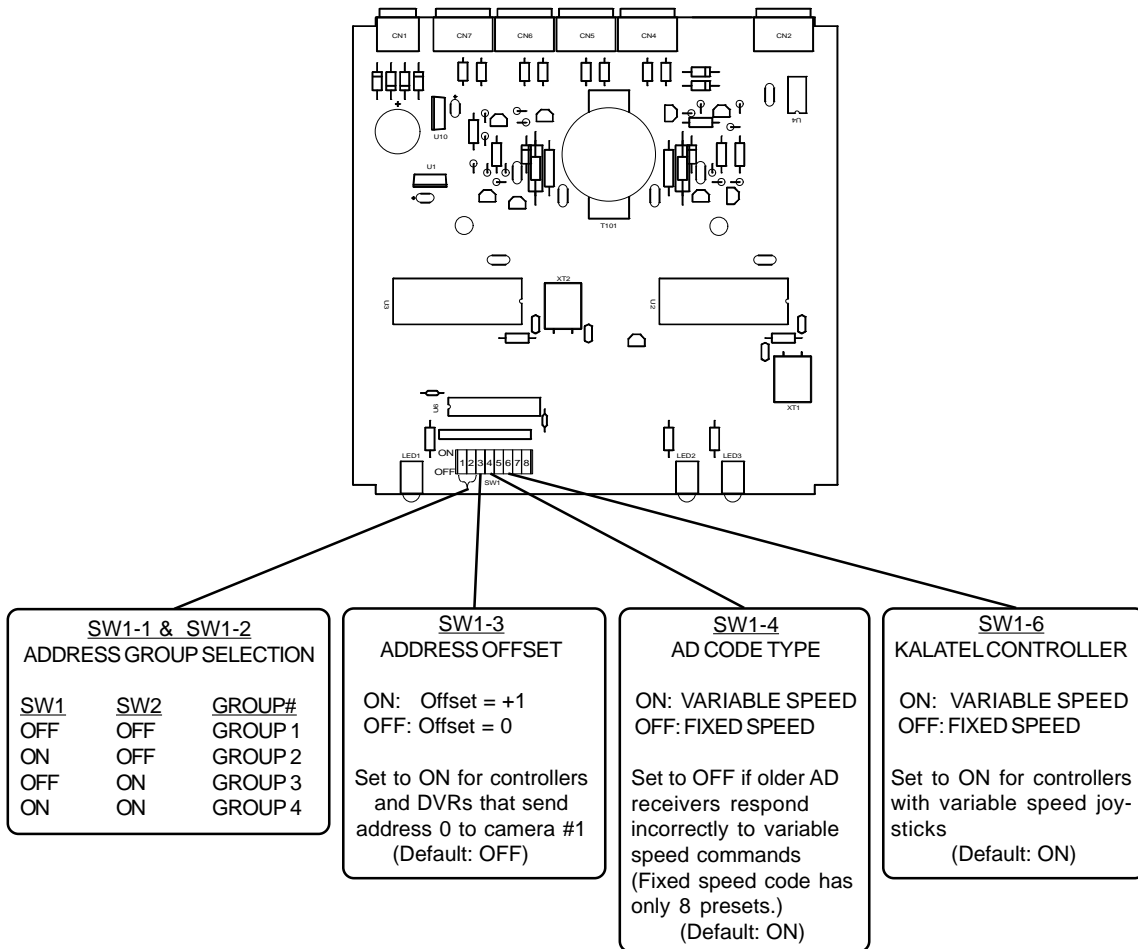
Version 2.1 changes the conversion for American Dynamics aux commands to more closely match the KTD-405 keyboard layout.

SPECIFICATIONS

SIZE:	5.57"W x 1.52H x 5.45D
WEIGHT:	1.5 lbs.
POWER:	9Volt to 15Volt AC or DC at 75ma
INDICATORS:	Front panel LEDs: Power, Rx, & Tx
KALATEL RS-422 INPUT:	(1) mating 3-pin screw terminal connector
AD MANCHESTER OUTPUTS:	(4) mating 3-pin screw terminal connectors

SETTING THE SWITCHES

To set the configuration switches, remove the back panel, which is secured by two screws. Then slide the cover back to expose the switches. The switches can be changed while the code translator is powered up and the new settings will take effect immediately.



Notes:

Kalatel code is a continuous stream of data, which the code translator automatically locks onto. When the code translator has locked on, the Rx indicator will flash the type of code found. First it flashes either two or three times for Digiplex II or Digiplex III code, and then it flashes either two or four times for 2400 or 4800 baud.

For Kalatel keypads without joysticks, such as the KTD-301, set SW1-6 OFF. The speed can then be adjusted using the [Slow] and [Fast] keys.

On Kalatel keypads such as the KTD-304, Camera 000 is selected to control a camera whose address switches are set to 0, Camera 001 controls a camera set to 1, and so on.

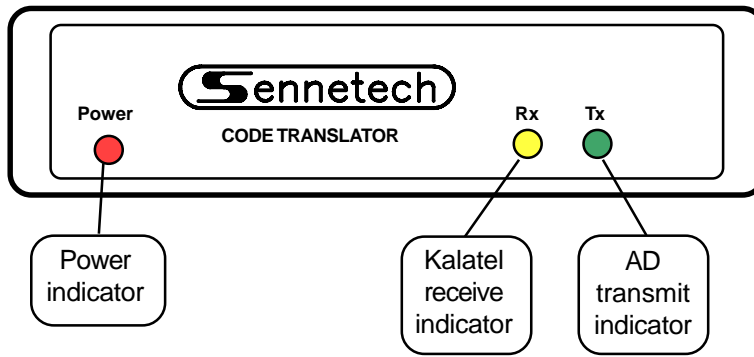
On KTD-405 keypads and some DVRs that support the Kalatel digiplex protocol, Camera 000 can not be selected. The lowest camera number is 1. However, when Camera 001 is selected, the data packet sent to the camera is addressed to 0, data for Camera 002 is addressed to 1, etc.

If the source of Kalatel control code for the code translator is sending addresses offset by 1, setting SW1-3 ON will add 1 to the AD address so that the camera addressed as 1 will be controlled when 001 is selected.

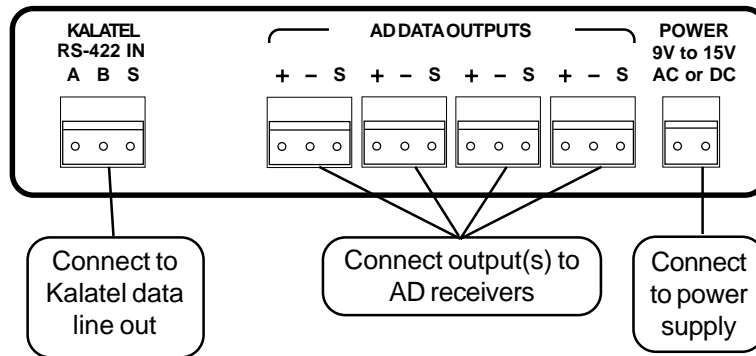
CONVERSION CHART FOR ADDRESS GROUPS

GROUP 1				GROUP 2				GROUP 3				GROUP 4			
<u>KAL</u>	<u>AD</u>	<u>KAL</u>	<u>AD</u>	<u>KAL</u>	<u>AD</u>	<u>KAL</u>	<u>AD</u>	<u>KAL</u>	<u>AD</u>	<u>KAL</u>	<u>AD</u>	<u>KAL</u>	<u>AD</u>	<u>KAL</u>	<u>AD</u>
1	1	33	33	65	1	97	33	129	1	161	33	193	1	225	33
2	2	34	34	66	2	98	34	130	2	162	34	194	2	226	34
3	3	35	35	67	3	99	35	131	3	163	35	195	3	227	35
4	4	36	36	68	4	100	36	132	4	164	36	196	4	228	36
5	5	37	37	69	5	101	37	133	5	165	37	197	5	229	37
6	6	38	38	70	6	102	38	134	6	166	38	198	6	230	38
7	7	39	39	71	7	103	39	135	7	167	39	199	7	231	39
8	8	40	40	72	8	104	40	136	8	168	40	200	8	232	40
9	9	41	41	73	9	105	41	137	9	169	41	201	9	233	41
10	10	42	42	74	10	106	42	138	10	170	42	202	10	234	42
11	11	43	43	75	11	107	43	139	11	171	43	203	11	235	43
12	12	44	44	76	12	108	44	140	12	172	44	204	12	236	44
13	13	45	45	77	13	109	45	141	13	173	45	205	13	237	45
14	14	46	46	78	14	110	46	142	14	174	46	206	14	238	46
15	15	47	47	79	15	111	47	143	15	175	47	207	15	239	47
16	16	48	48	80	16	112	48	144	16	176	48	208	16	240	48
17	17	49	49	81	17	113	49	145	17	177	49	209	17	241	49
18	18	50	50	82	18	114	50	146	18	178	50	210	18	242	50
19	19	51	51	83	19	115	51	147	19	179	51	211	19	243	51
20	20	52	52	84	20	116	52	148	20	180	52	212	20	244	52
21	21	53	53	85	21	117	53	149	21	181	53	213	21	245	53
22	22	54	54	86	22	118	54	150	22	182	54	214	22	246	54
23	23	55	55	87	23	119	55	151	23	183	55	215	23	247	55
24	24	56	56	88	24	120	56	152	24	184	56	216	24	248	56
25	25	57	57	89	25	121	57	153	25	185	57	217	25	249	57
26	26	58	58	90	26	122	58	154	26	186	58	218	26	250	58
27	27	59	59	91	27	123	59	155	27	187	59	219	27	251	59
28	28	60	60	92	28	124	60	156	28	188	60	220	28	252	60
29	29	61	61	93	29	125	61	157	29	189	61	221	29	253	61
30	30	62	62	94	30	126	62	158	30	190	62	222	30	254	62
31	31	63	63	95	31	127	63	159	31	191	63	223	31	255	63
32	32	64	64	96	32	128	64	160	32	192	64	224	32	256	64

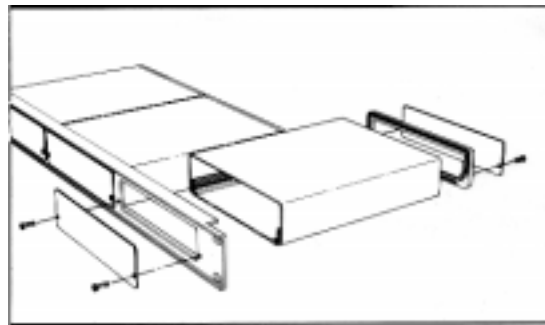
FRONT PANEL



BACK PANEL



To install the case on the rack mount frame, remove the front panel and the plastic bezel. The rack mount frame takes the place of the bezel as shown below.



OPERATION

Kalatel Pan, Tilt, Zoom, Focus, and Iris commands are converted to equivalent AD manchester commands.

Fixed Speed Controllers

If the code translator is configured for a fixed speed Kalatel controller, the [Slow] and [Fast] keys on the KTD-301 controller will change the speed value for the pan and tilt commands. (On power-up the translator defaults to a medium speed.)

[Slow]

Decrease speed value

[Fast]

Increase speed value

The KTD-301 cannot simultaneously send commands from keys in the same column. Thus, the [Slow] and [Fast] keys will work while pan right is depressed, but [Slow] and pan left will not work at the same time. Likewise, [Fast] will not work while a tilt key is depressed.

Presets

Kalatel Command

Pgm or Store Pset 1~49
Set or Find Pset 1~49

AD Command

Pgm Preset 1~49
Goto Preset 1~49

The maximum Kalatel preset # is 63, and the maximum AD preset # is 72. Sensormatic UltraDomes use presets 65~72 for special programming commands. The code translator adds 10 to the pre-sets numbers 50 and up so these functions can be accessed. The following table lists how these commands can be sent from KTD-304 and KTD-405 keyboards.

KTD-304

Pgm Pset 55
Pgm Pset 56

KTD-405

Store 55
Store 56

AD Command

Pgm Preset 65
Pgm Preset 66

Dome Function

Reset Dome
Start Dome Configuration Menu
(Use Pan/Tilt to move highlight bar,
Focus Far to select highlighted
item, and Zoom to incr/decr value.)
Resume Auto Focus / Auto Iris
Flip Dome 180 degrees
Activate/Deactivate V-phase
Adjustment

Set 56

Find 56

Run Preset 66

Set 57

Find 57

Run Preset 67

Pgm Pset 57

Store 57

Pgm Preset 67

Tours/Patterns

When operated with AD manchester protocol, Sensormatic domes use preset commands to program and run patterns. (Sensormatic patterns use only a single fixed speed.)

Pgm Pset 58

Store 58

Pgm Preset 68

Cancel Pattern Programming

Pgm Pset 59

Store 59

Pgm Preset 69

Save Pattern Programming

Pgm Pset 60

Store 60

Pgm Preset 70

Program Pattern 1

Pgm Pset 61

Store 61

Pgm Preset 71

Program Pattern 2

Pgm Pset 62

Store [REW]

Pgm Preset 72

Program Pattern 3

Set 59

Find 59

Run Preset 69

Repeats Following Pattern

Set 60

Find 60

Run Preset 70

Run Pattern 1

Set 61

Find 61

Run Preset 71

Run Pattern 2

Set 62

Find [REW]

Run Preset 72

Run Pattern 3

Example: To program Pattern 1 from a KTD_405 keyboard, position the dome at the pattern starting point, then press [Store][60][Store] and the dome will display the remaining memory. Move the dome through the desired pattern, and then press [Store][59][Store] to save the pattern. To run Pattern 1 repeatedly, press [Find][59] and then press [Find][60].

Aux Off/On

AD manchester code has 3 Aux Off and 3 Aux On commands. Kalatel keyboards do not all have the same set of keys.

KTD-301

Aux1
Aux2

KTD-304

Open
Close
Stop
Auto
Auto focus
Alarm

KTD-405

Aux1 [Open]
Aux2 [Close]
Aux3 [Stop]
Tour [Hold for 2 sec]
Auto focus
Alarm

AD Command

On 1
On 2
On 3
Off 1
Off 2
Off 3

