

**Sennetech**

**SCT-1058**

**CAMERA CONTROL CODE TRANSLATOR  
VCL RS-485 to VICON RS-422 Ver. 1.0**

[www.sennetech.net](http://www.sennetech.net)

**Sennetech, Inc. 6455 W. Bath Rd. Perry, MI 48872 U.S.A. Ph (517) 675-1150 Fax (517) 675-1151**

## PRODUCT DESCRIPTION

The SCT-1058 is a VCL to Vicon control code translator designed to permit control of Vicon cameras from VCL controllers. It receives VCL RS-485 commands and converts them to the appropriate Vicon RS-422 commands. There are four independent Vicon outputs.

Input and output connections are made with mating screw terminal connectors. Front panel LEDs indicate status of power, receive, and transmit.

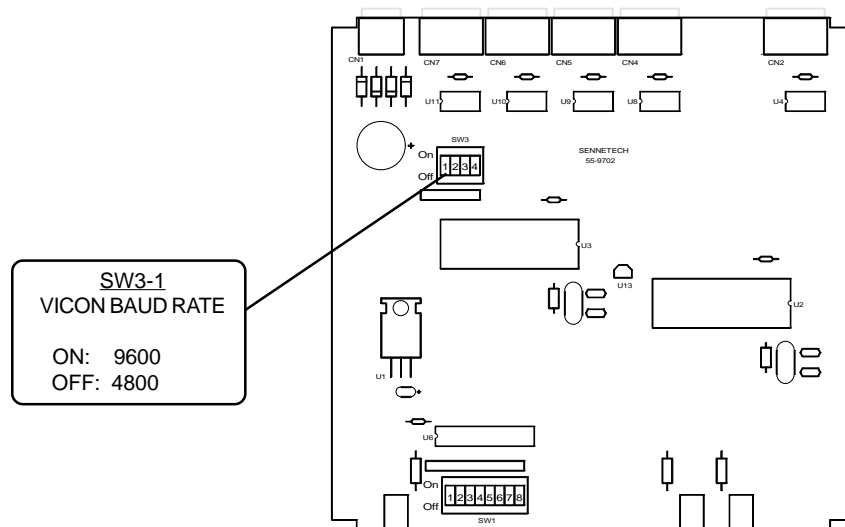
There is an optional 19" rack mount panel (one rack unit high).

## SPECIFICATIONS

SIZE:	5.57"W x 1.52H x 5.45D
WEIGHT:	1.5 lbs.
POWER:	9Volt to 15Volt AC or DC at 75ma
INDICATORS:	Front panel LEDs: Power, Rx, & Tx
VCL RS-485 INPUT:	(1) mating 3-pin screw terminal connector
VICON RS-422 OUTPUTS:	4) mating 3-pin screw terminal connectors

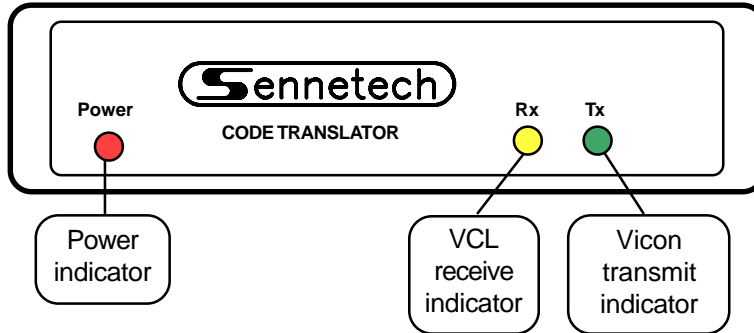
## SETTING THE SWITCHES

To set the configuration switches, remove the back panel, which is secured by two screws. Then slide the cover back to expose the switches. The switches can be changed while the code translator is powered up and the new settings will take effect immediately.

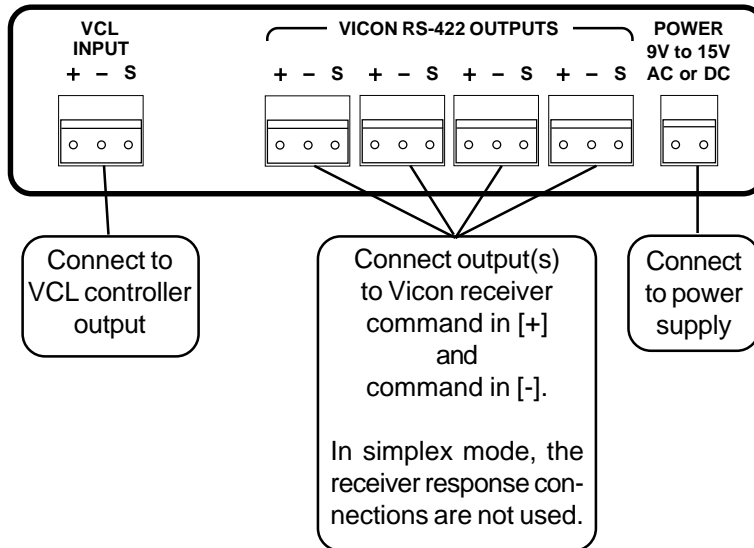


## INSTALLATION

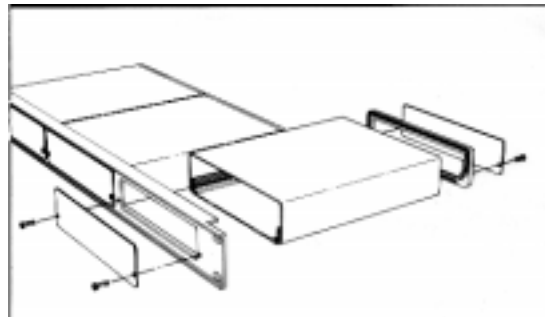
### FRONT PANEL



### BACK PANEL



To install the case on the rack mount frame, remove the front panel and the plastic bezel. The rack mount frame takes the place of the bezel as shown below.



## OPERATION

VCL Pan, Tilt, Zoom, Focus, Iris, and Preset commands are converted directly to the equivalent Vicon commands.

Additional commands are converted according to the following table.

<b><u>VCL Command</u></b>	<b><u>Vicon Command</u></b>
AutoPan	AutoPan
Wiper On/Off	AutoPan
Auto Iris On/Off	Auto Iris
AutoFocus On/Off	LensSpeed
Wash On/Off	Alarm Acknowledge
Toggle Mono/Color	Alarm Acknowledge
Remote Reset	Pgm Preset 95 (Reset Dome)

For Vicon domes, Pgm Preset 94 activates the on-screen menu. If the VCL control systems cannot send that command, then the camera setup command can be used.

To bring up the on-screen menu, press the camera setup button 3 times in succession. While the menu is displayed, the following control functions are in effect:

Pan & Tilt	Move the highlight bar
AutoPan or Wiper	Select the highlighted item
Auto Iris	Exit

