



**SCT-1071**

**CAMERA CONTROL CODE TRANSLATOR  
VICON RS-422 to COHU RS-422 Ver. 1.0**

[www.sennetech.net](http://www.sennetech.net)

**Sennetech, Inc. 6455 W. Bath Rd. Perry, MI 48872 U.S.A. Ph (517) 675-1150 Fax (517) 675-1151**



## PRODUCT DESCRIPTION

The SCT-1071 is a Vicon to Cohu camera control code translator designed to permit control of Cohu receivers and cameras from Vicon controllers. It receives Vicon RS-422 commands and transmits the appropriate commands in Cohu RS-422 code format. There are four independent Cohu outputs.

Input Vicon baud rates of 2400, 4800, 9600, and 19200 are automatically detected.

Cohu output is 9600 baud.

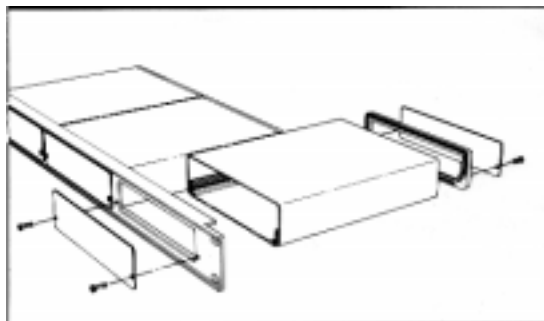
Input and output connections are made with mating screw terminal connectors. Front panel LEDs indicate power, receive, transmit, and status.

There is an optional 19" rack mount panel (one rack unit high).

## SPECIFICATIONS

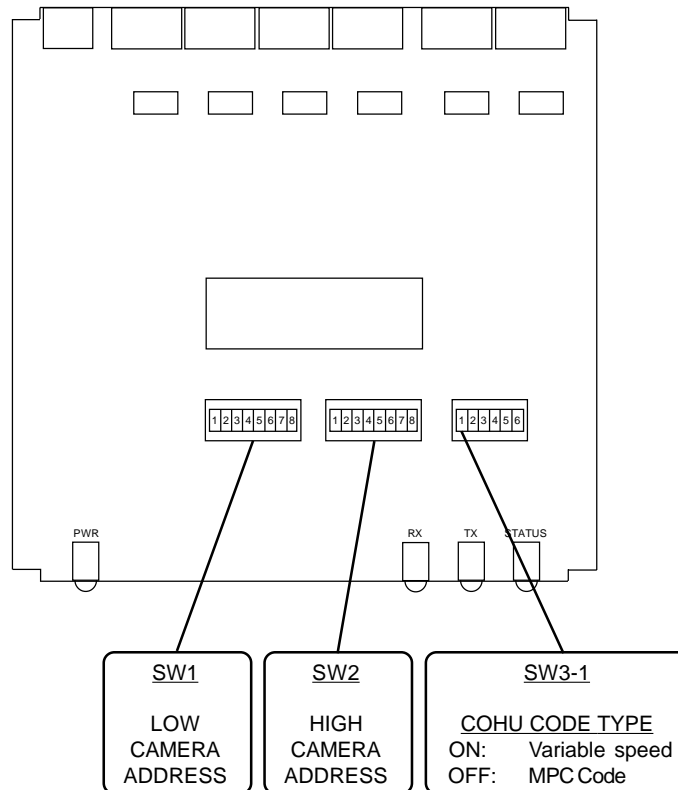
|                 |   |
|-----------------|---|
| SIZE:           | 19"W x 1.75H x 5.45D                        |
| WEIGHT:         | 1.5 lbs.                                    |
| POWER:          | 9Volt to 18Volt AC or DC at .75 Watts       |
| INDICATORS:     | Front panel LEDs: Power, Rx, Tx, and Status |
| VICON INPUT:    | (1) 3-pin mating screw terminal connector   |
| VICON RESPONSE: | (1) 3-pin mating screw terminal connector   |
| COHU OUTPUTS:   | (4) 3-pin mating screw terminal connectors  |

To install the case on the rack mount frame, remove the front panel and the plastic bezel. The rack mount frame takes the place of the bezel as shown below.



## SETTING THE SWITCHES

To set the configuration switches, remove the back panel, which is secured by two screws. Then slide the cover back to expose the switches. The switches can be changed while the code translator is powered up and the new settings will take effect immediately.



The code translator will send responses and translate code for only the group of camera numbers set by the lowest and highest camera address switches.

The preferred system configuration is Vicon simplex mode, in which the response line is not used. If the response line is connected for Vicon duplex operation, set the low and high switches to exclude the addresses for any Vicon cameras in the system.

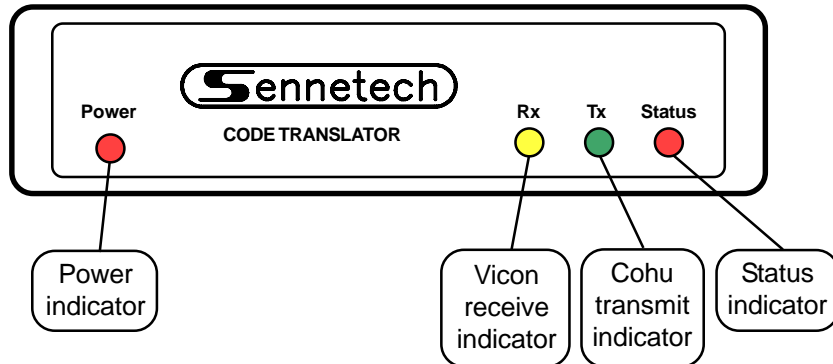
The Cohu outputs can be set to either MPC code or variable speed code.

The maximum Cohu address is 223; no translation will occur for addresses above 223.

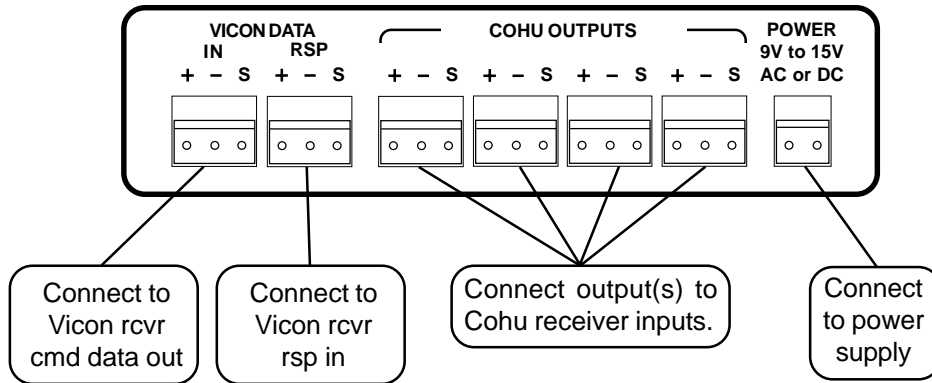


## INSTALLATION

### FRONT PANEL



### REAR PANEL



The Rx LED will light when there is any data on the input lines.

The code translator will automatically detect the input baud rate from 2400 baud to 19200 baud.

The Status LED will flash if the input data is not recognized, i.e. if the wires are reversed or the data is not valid camera control data. It will flash momentarily during the autobaud detect process.

The Tx LED flashes when Cohu output code is being sent.

## OPERATION

### PTZ

The code translator converts Pan, Tilt, Zoom, Focus and Iris commands directly.

### Presets

Vicon presets from 1–63 are converted to Cohu presets. For MPC code, only 10 presets are converted.

Other commands are converted according to the following table.

| <u>Vicon Command</u> | <u>Cohu Command</u>         |
|----------------------|-----------------------------|
| A/I                  | Manual Iris toggle          |
| A/P                  | Camera Power Toggle         |
| L/S                  | Lens Speed Toggle           |
| Aux 1                | Aux 1 Toggle                |
| Aux 2                | Aux 2 Toggle                |
| Aux 3                | Aux 3 Toggle                |
| Aux 4                | Color Balance Stop          |
| Aux 5                | Color Balance Increase Blue |
| Aux 6                | Color Balance Increase Red  |

