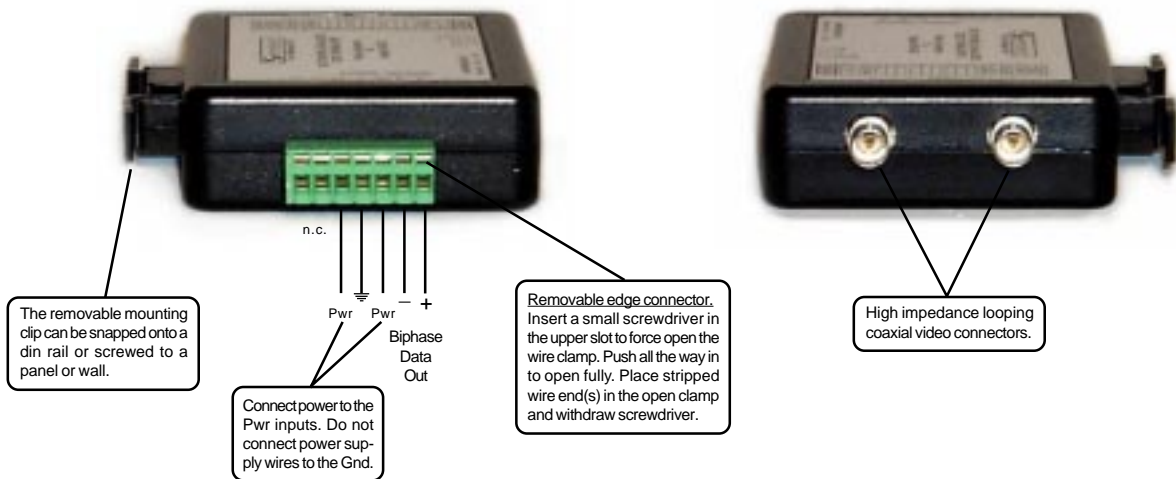
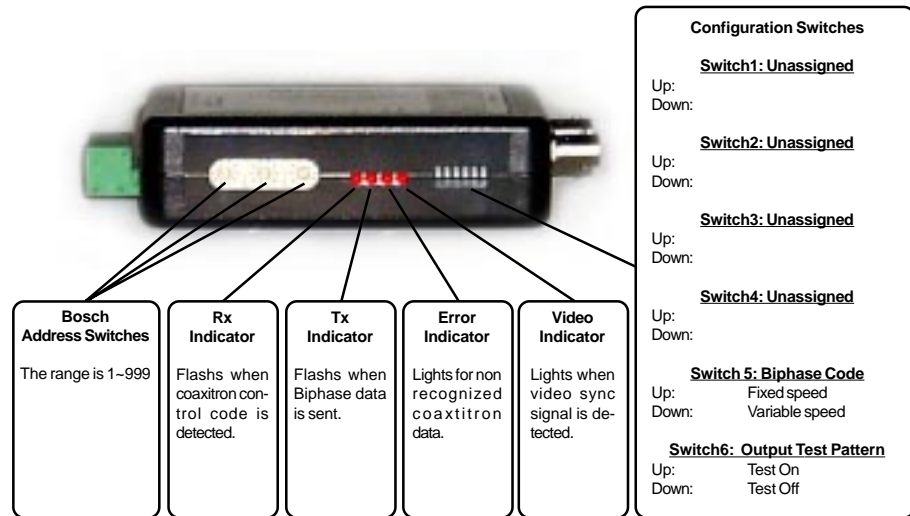


SCT-CRX-Pelco-Bosch

Pelco Coaxitron to Bosch Biphas Code Translator

The Code Translator detects Pelco coaxitron control code and converts it to equivalent Bosch Biphas code for a single PTZ.

A test mode can be used to check connections and addressing to the PTZ with a Pelco Controller.



SPECIFICATIONS

Size: 4.5" x 3.5" x 1.25"
 Weight: 0.5 lb
 Power: 9Volt to 15Volt AC or DC at 75ma (Optional 24volt)
 Environmental: Indoor use only

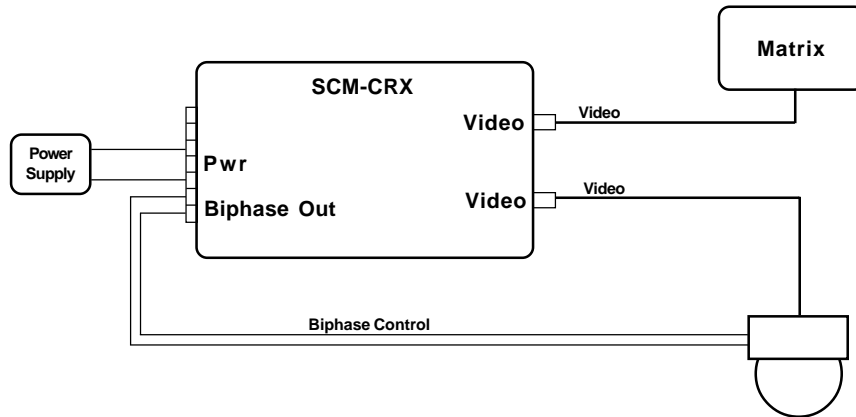
www.sennetech.net

Sennetech, Inc. 6455 W. Bath Rd. Perry, MI 48872 U.S.A. Ph (517) 675 1150 Fax (517) 675 1151

INSTALLATION

Insert the code translator in the video coaxial cable between the camera and the matrix. The video inputs are a high impedance loop so either can be in or out. Connect the Biphase output to the PTZ's input connector.

Set address selector switches and the PTZ's address to the same number. With the test pattern on, a clockwise square movement pattern is sent to the PTZ. This can be used to verify communication to the PTZ without a Pelco controller.



OPERATION

Pan, tilt, zoom, focus, Iris commands, and Presets 1-99 are converted directly. Except for Aux 5, 6, & 7, Pelco Aux On/Off commands are converted directly into Bosch Aux On/Off commands. Some Pelco controllers can send Aux commands up to number 99. Others are limited to 8 Aux numbers.

Bosch uses auxiliary and preset numbers as high as 999 for special functions. Use the following sequences to send numbers higher than the controller's capabilities.

<u>Pelco Command</u>	<u>Code translator action</u>
Aux 7 Off	Prepare to store a number.
(0-9) Preset	Store 1st digit
(0-9) Preset	Store 2nd digit
(0-9) Preset	Store 3rd digit (if needed)
Aux6 Off	Send "Off [Stored Number]"
Aux6 On	Send "On [Stored Number]"
Aux5 Off	Send "Shot [Stored Number]"
Aux5 On	Send "Set [Stored Number]"

Example:

To send "On 78" to turn on Autotracker, press 7 Off, 7 Pset, 8 Pset, 6 On.

To send "Off 90" to unlock an AutoDome for programming, press 7 Off, 9 Pset, 0 Pset, 6 Off.

To send "On 997" to briefly display AutoDome addresses, press 7 Off, 9 Pset, 9 Pset, 7 Pset, 6 On.

Note: If the Pelco controller will not send a 0 Preset, use 10 Preset instead for zero.

Additional Pelco commands are converted according to the following table

<u>Pelco Command</u>	<u>Bosch Command</u>
Pattern Start	On 100 (Start recording pattern)
Pattern End	Off 100 (Stop recording pattern)
Run Pattern	On 50 (Playback recorded pattern)