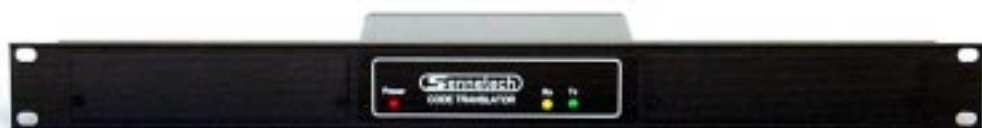




RMT1-3

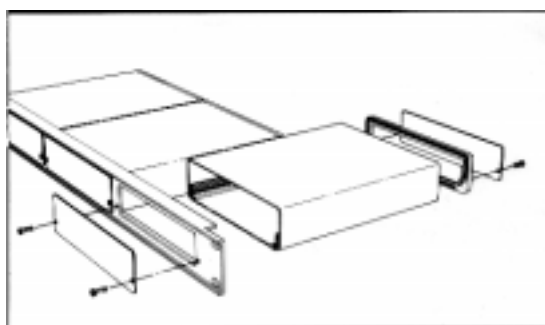
Rack mount kit for SCT-1000 series



The RMT1-3 is a 19" rack single unit high (1.75") frame that can hold a combination of up to three SCT-1000 series code translators, SCM-800 code mergers, or SDA distribution amplifiers.

INSTALLATION INSTRUCTIONS

To install the case on the rack mount frame, remove the front panel and the plastic bezel. The rack mount frame takes the place of the bezel as shown below.



www.sennetech.net

Sennetech, Inc. 6455 W. Bath Rd. Perry, MI 48872 U.S.A. Ph (517) 675-1150 Fax(517) 675-1151